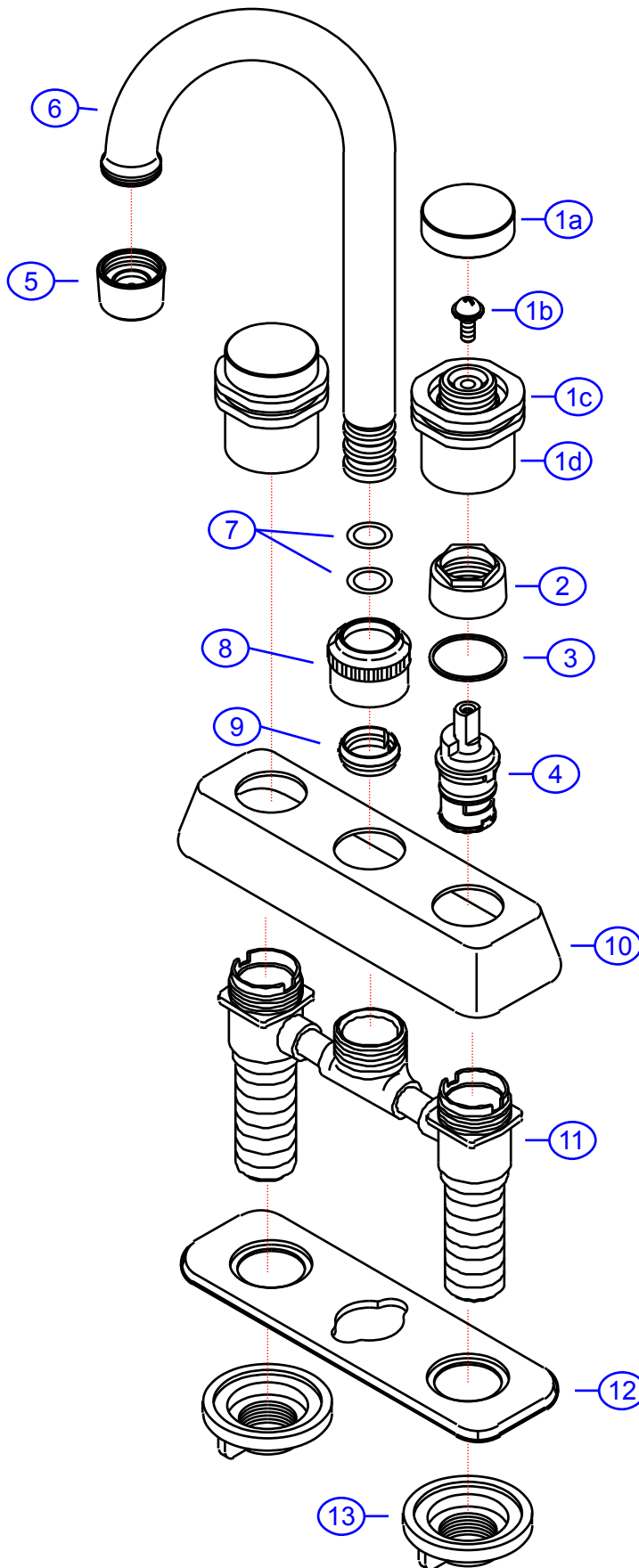


132-0415-xx

SHURflo Marine Grade Faucets
5900 Katiella Ave., Cypress, CA 90630
(562) 795-5200 • FAX (562) 795-7554
www.shurflo.com

SHURflo
First in Fluid Innovation™

Rev #	-	Model #	132-0415-xx
Package Style	OEM	Series	Pisces
Vendor #	FB0A2001xx-ASJ8	Type	Wet Bar Faucet
Drawn By	SS	Modified/Approved	1/17/05



NOT DRAWN TO SCALE

