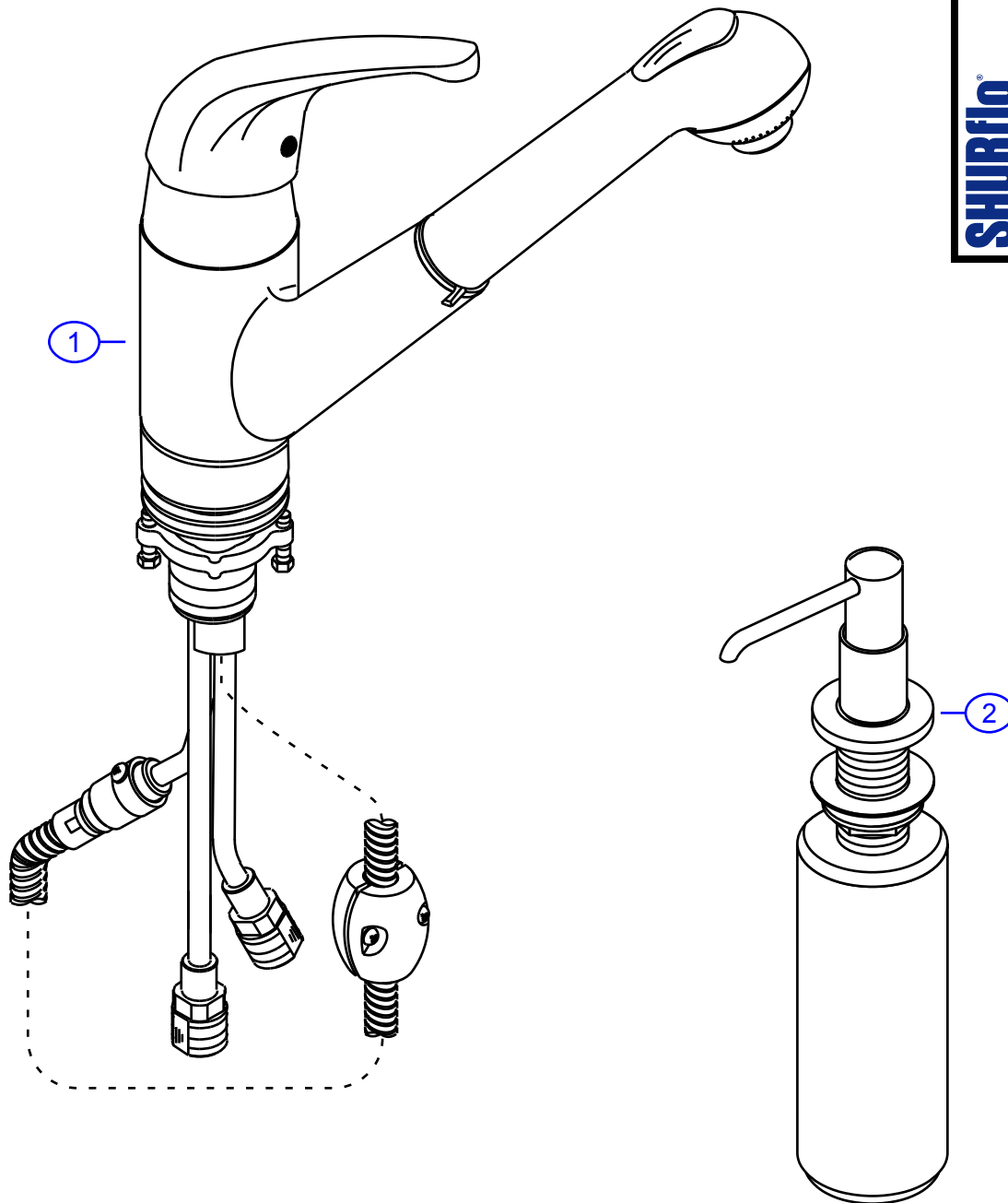


133-0017-xx

SHURflo
First in Fluid Innovation™

SHURflo Marine Grade Faucets
5900 Katella Ave., Cypress, CA 90630
(562) 795-5200 • FAX (562) 795-7554
www.shurflo.com

Rev #	A	Package Style	Aftermarket	Model #	133-0017-xx
Vendor #	FP1B4200xx-ASC8			Series	Universal (Pacifica)
Drawn By	SS	Modified/Approved	1/3/06	Type	Pull-Out Galley Faucet w/Soap



NOT DRAWN TO SCALE

