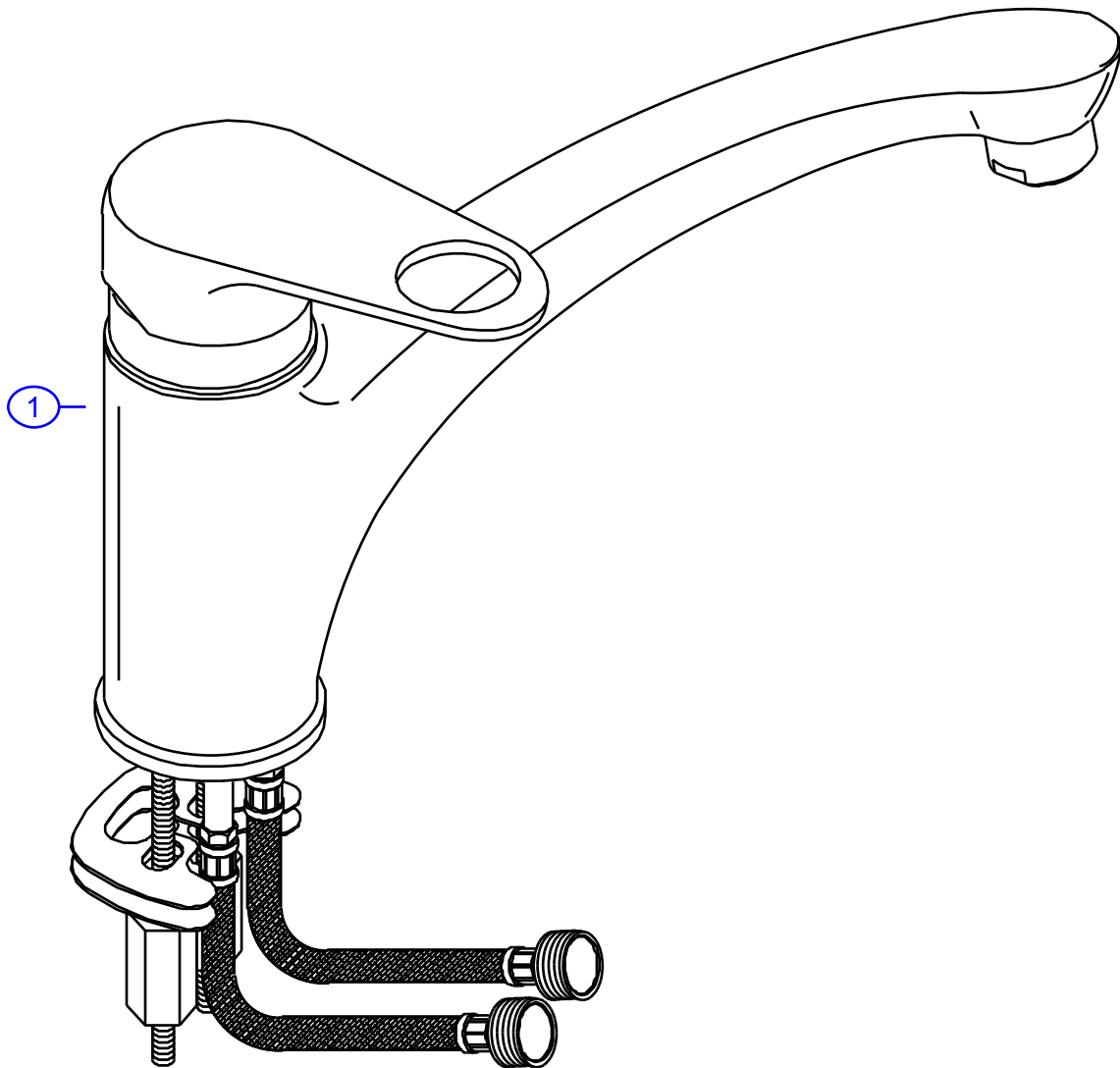


**133-1001-xx**

SHURflo Marine Grade Faucets  
5900 Katiella Ave., Cypress, CA 90630  
(562) 795-5200 • FAX (562) 795-7554  
www.shurflo.com

Rev #	A	Package Style	Aftermarket	Model #	<b>133-1001-xx</b>
Vendor #	FS1B4013xx-ASC8			Series	Nautilus
Drawn By	SS	Modified/Approved	2/9/05	Type	Galley Faucet

**SHURflo**  
*First in Fluid Innovation™*



NOT DRAWN TO SCALE

133-1001-xx

Nautilus  
Galley Faucet  
Rev. A



#	Description	Part #	Finish					Qty
			CP					
1	Nautilus Galley Faucet	see 132-1001-xx	CP					1

\* - Grayed parts are not available individually. "Assembled" item is required.