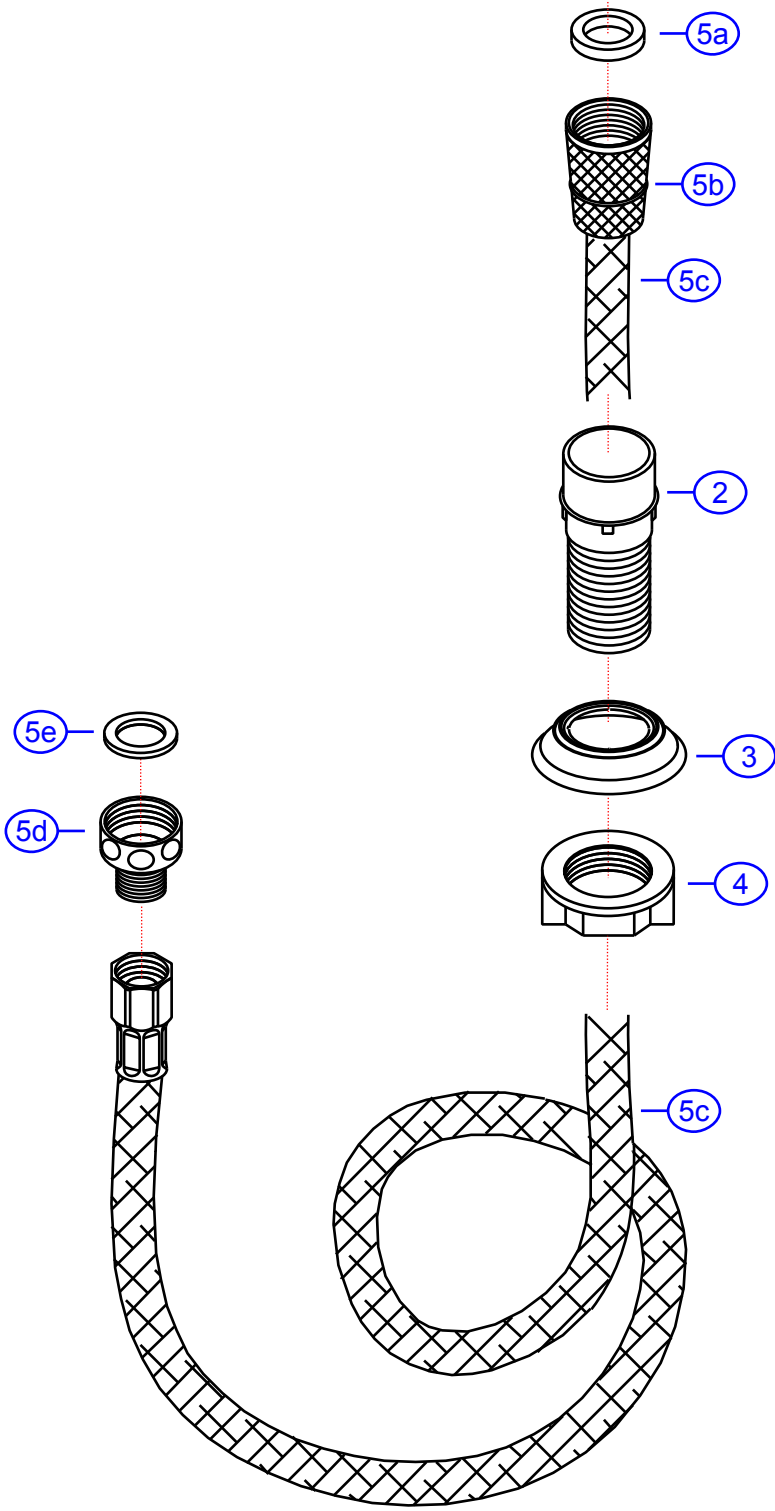


Rev. Change	
A	Original
B	
C	
D	



134-0009-xx

SHURflo Marine Grade Faucets
 5900 Katella Ave., Cypress, CA 90630
 800.854.3218 • 562.795.5200 • Fax 562.795.7564
 www.shurflo.com



Rev #	A	Package Style	OEM	Model #	134-0009-xx
Vendor #	S2210101xx-ASJ8	Approved/Modified	02/23/10	Series	Universal
Drawn By	SS	Type	Sprayer (Small w/Elbow)		

NOT DRAWN TO SCALE

