

Rev. Change

A Original

B

C

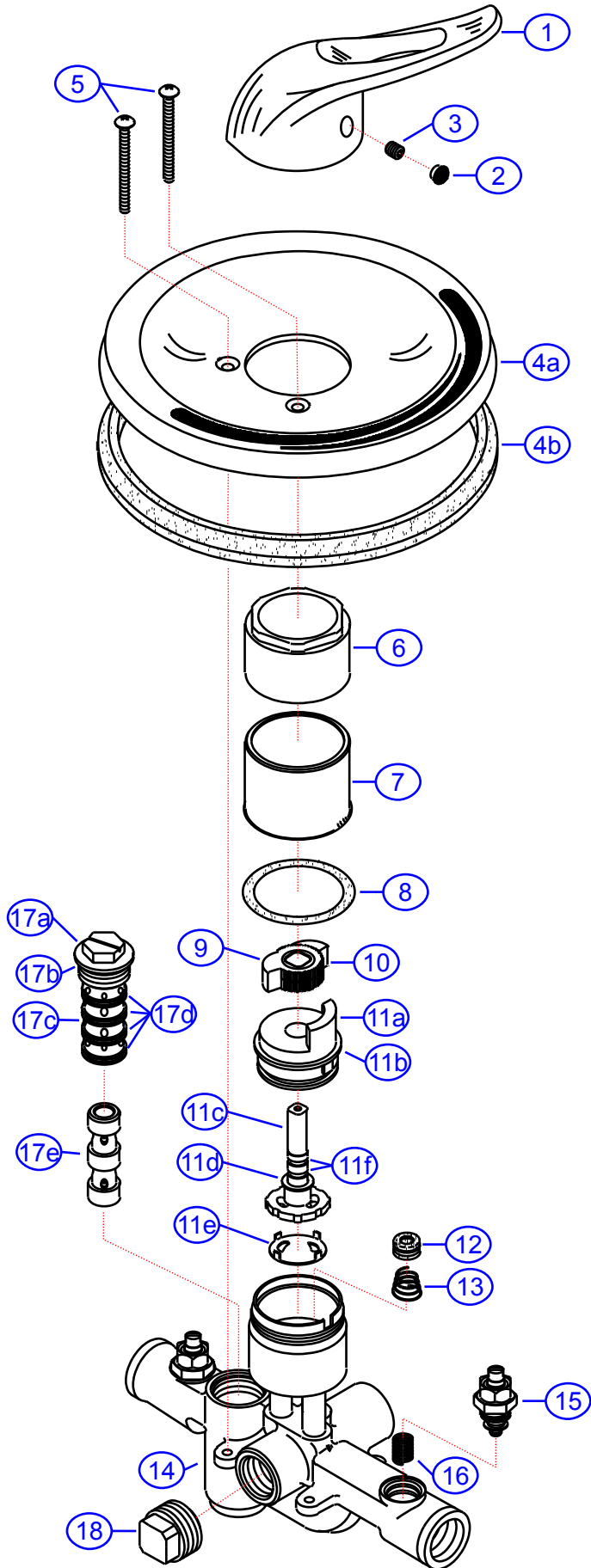
D

134-0105-xx

SHURflo Marine Grade Faucets
5900 Katella Ave., Cypress, CA 90630
800.854.3218 • 562.795.5200 • Fax 562.795.7564
www.shurflo.com



Rev #	-	Package Style	OEM	Model #	134-0105-xx
Vendor #	A661265xx-ASJ8	Approved/Modified	02/22/10	Series	Stasis
Drawn By	SS	Type	Shower Mixer (Pres. Bal.)		



NOT DRAWN TO SCALE

