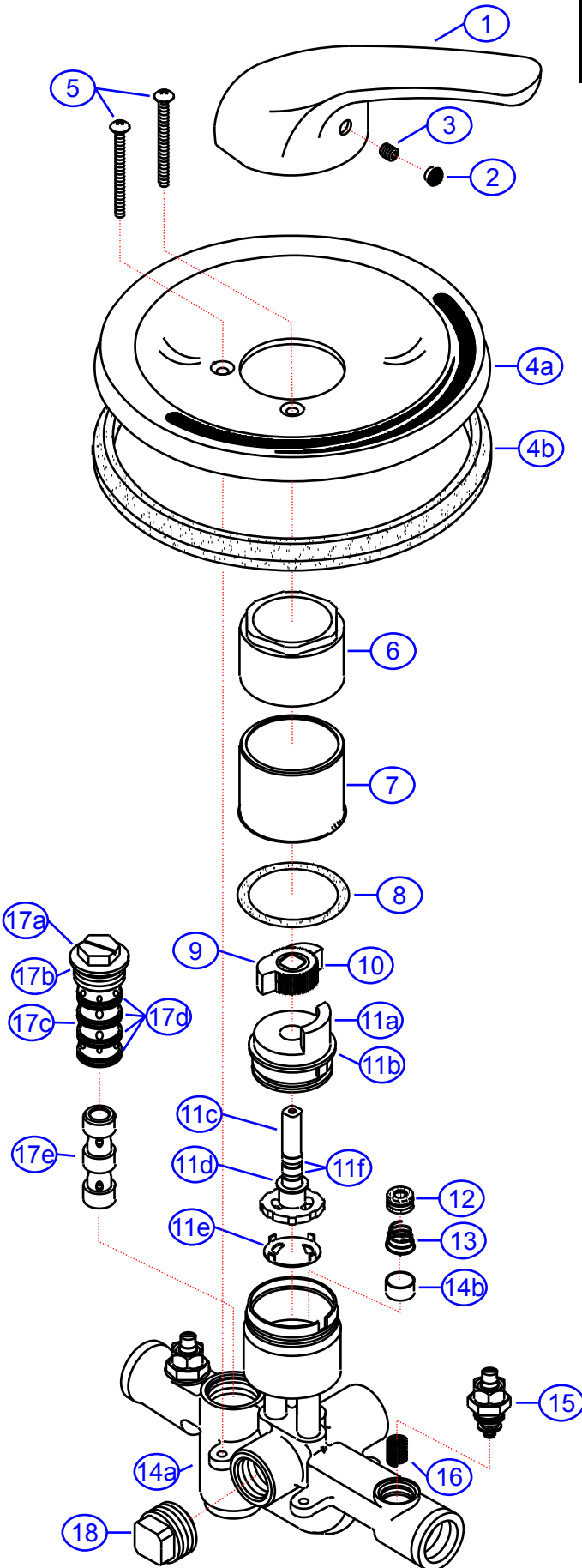


Rev. Change

A	Original
B	
C	
D	



# 134-0805-xx

SHURflo Marine Grade Faucets  
5900 Katella Ave., Cypress, CA 90630  
800.854.3218 • Fax 562.795.5200 • Fax 562.795.7564  
www.shurflo.com



Rev #	A	Package Style	OEM	Model #	<b>134-0805-xx</b>
Vendor #	A661325xx-ASJ8	Series		Type	Pacifica
Drawn By	SS	Approved/Modified	02/18/10		Shower Mixer (Pres. Bal.)

NOT DRAWN TO SCALE

