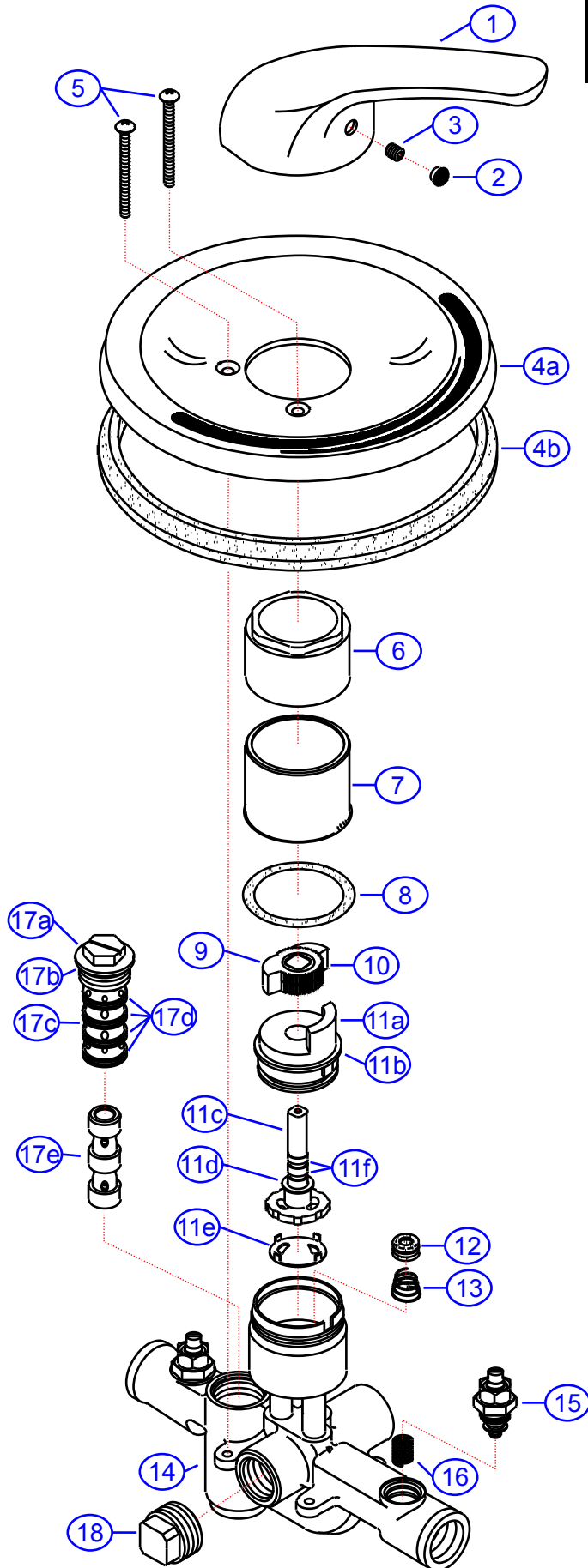


Rev. Change

A	Original
B	Eliminate Seat & Spring Housing
C	
D	



134-0805-xx

SHURflo Marine Grade Faucets
5900 Katella Ave., Cypress, CA 90630
800.854.3218 • Fax 562.795.5200 • Fax 562.795.7564
www.shurflo.com



Rev #	B	Package Style	OEM	Model #	134-0805-xx
Vendor #	A661325xx-ASJ8	Series	Pacifica	Approved/Modified	02/18/10
Drawn By	SS	Type	Shower Mixer (Pres. Bal.)		

NOT DRAWN TO SCALE

134-0805-xx

Pacifica
Shower Mixer (Pressure Balanced)
Rev. B



#	Description	Part #	Finish						Qty
			CG	CP					
1	Pacifica Handle	E-029036	CP	CP				1	
2	Blue/Red Plug	E-028065						1	
3	Set Screw	E-008003						1	
4	Face Plate Assembly	EA-556100	CP	CP				1	
4a	Face Plate	E-007041*	CP	CP				1	
4b	Gasket	E-060055						1	
5	Screw	E-075143	CP	CP				2	
6	Retainer Nut	E-103020	GP	CP				1	
7	Sleeve	E-217005	GP	CP				1	
8	O-Ring	E-004008						1	
9	Temp. Restrictor A	E-049000						1	
10	Temp. Restrictor B	E-049001						1	
11	Cartridge Assembly	EA-507049						1	
11a	Cartridge Body	E-214011*						1	
11b	O-Ring	E-048016*						1	
11c	Cartridge Stem	E-024112*						1	
11d	Metal Washer	E-013050*						1	
11e	Stem Plate	E-308006*						1	
11f	O-Ring	E-004118*						2	
12	Seat	E-101036						2	
13	Spring	E-005000						2	
14	Valve Body	E-044061						1	
15	Shut Off Valve	E-507037						2	
16	Shut Off Valve Spring	E-005012						2	
17	PB System Assembly	EA-507041						1	
17a	PB Head	E-009094*						1	
17b	O-Ring	E-048025*						1	
17c	PB Spool	E-214015*						1	
17d	O-Ring	E-048024*						4	
17e	PB Tumbler	E-208041*						1	
18	Tub Spout Cap	E-028004						1	

* - Part is not available individually. "Assembled" item is required.

** - Assembly is in-stock at SHURflo and must be shipped directly from SHURflo's distribution center.

Prepared Exclusively For
SHURflo Marine Grade Faucets