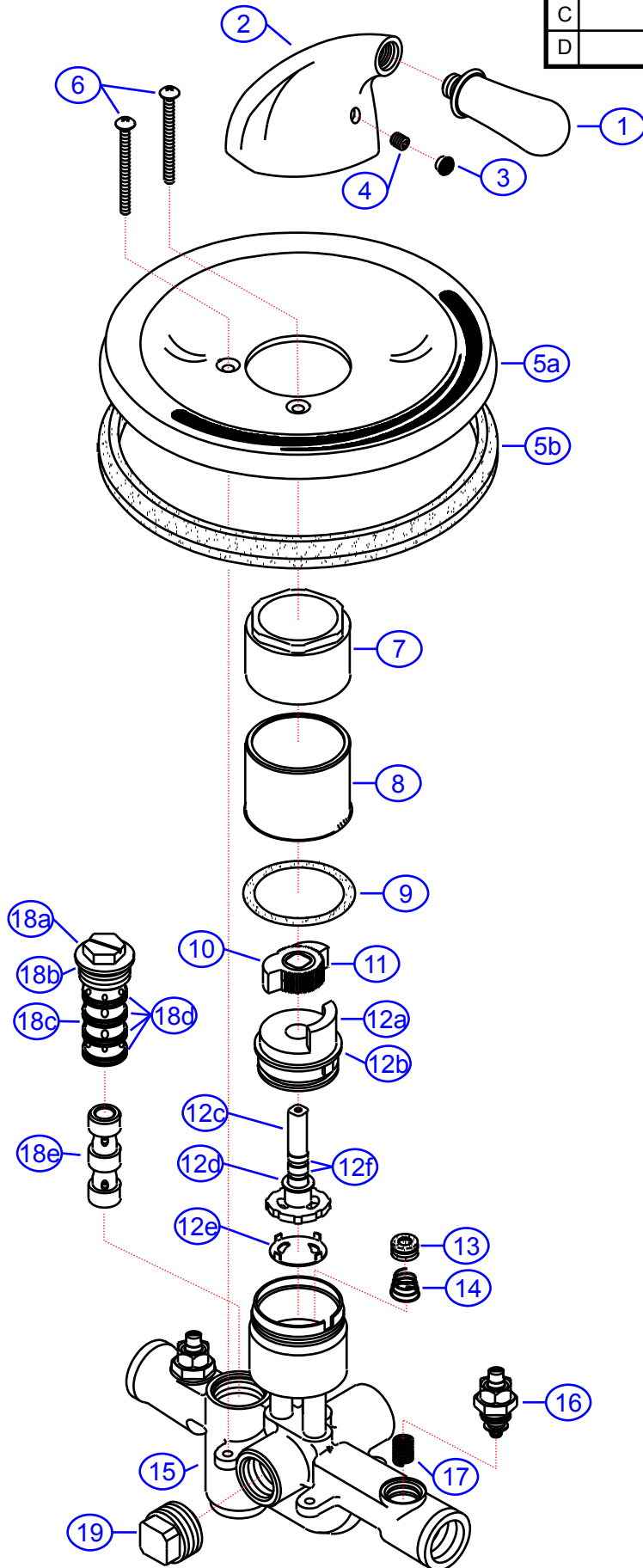


Rev. Change

A	Original
B	Eliminate Seat & Spring Housing
C	
D	



134-1205-xx

SHURflo Marine Grade Faucets
5900 Katella Ave., Cypress, CA 90630
800.854.3218 • Fax 562.795.7564
www.shurflo.com



Rev #	B	Package Style	OEM	Model #	134-1205-xx
Vendor #	A661128xx-ASJ8	Series	Estancia		
Drawn By	SS	Approved/Modified	02/18/10	Type	Shower Mixer (Pres. Bal.)

NOT DRAWN TO SCALE

