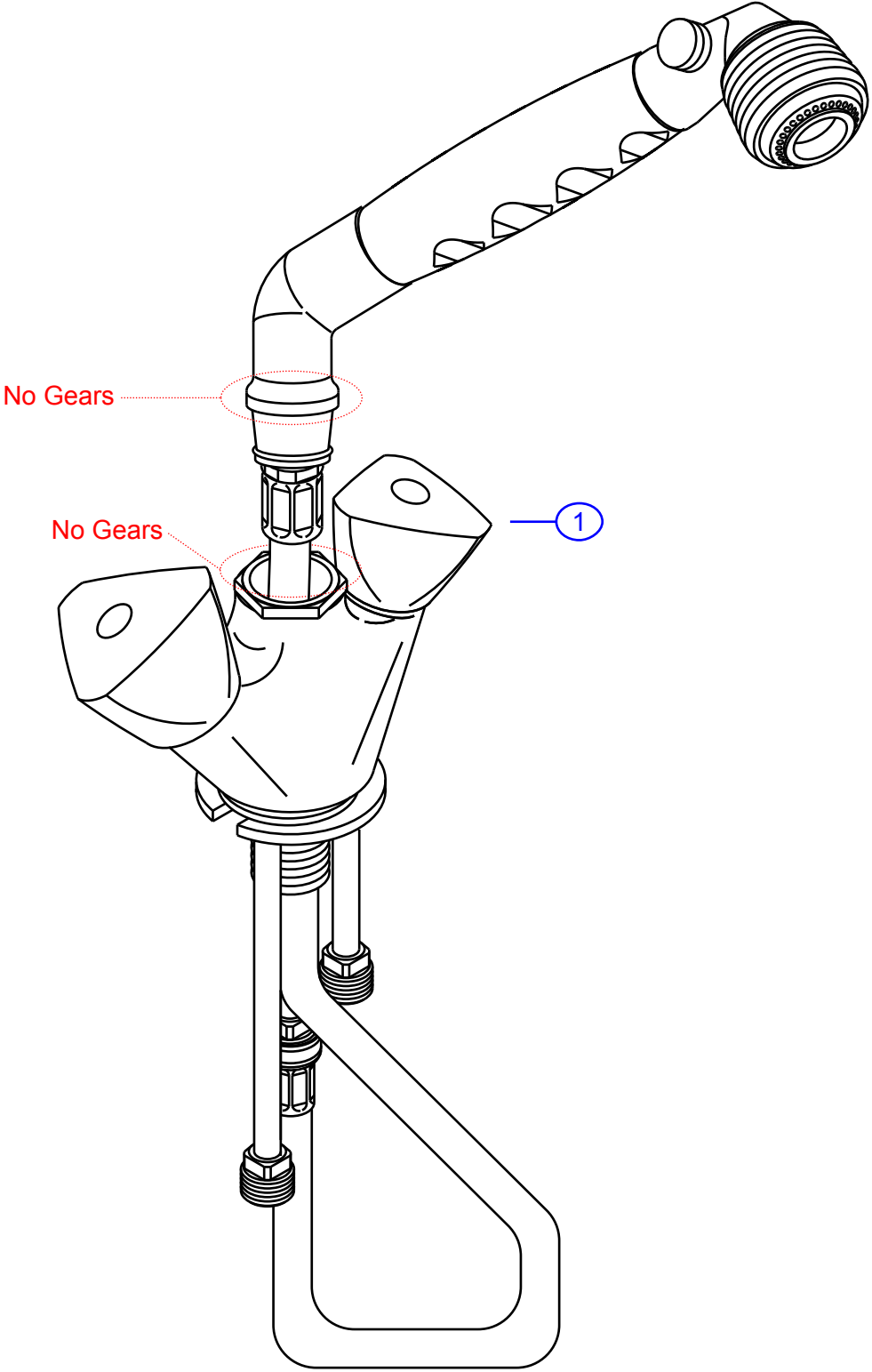


| Rev. Change | |
|-------------|----------|
| A | Original |
| B | |
| C | |
| D | |



135-0204-xx

SHURflo Marine Grade Faucets
 5900 Katella Ave., Cypress, CA 90630
 800.854.3218 • 562.795.5200 • Fax 562.795.7564
 www.shurflo.com



| | | | | | |
|----------|-----------------|-------------------|-------------|---------|--------------------------|
| Rev # | A | Package Style | Aftermarket | Model # | 135-0204-xx |
| Vendor # | FPAB1001xx-ASC8 | | | Series | Trinidad |
| Drawn By | SS | Approved/Modified | 02/17/10 | Type | Head/Shower Combo Faucet |

