

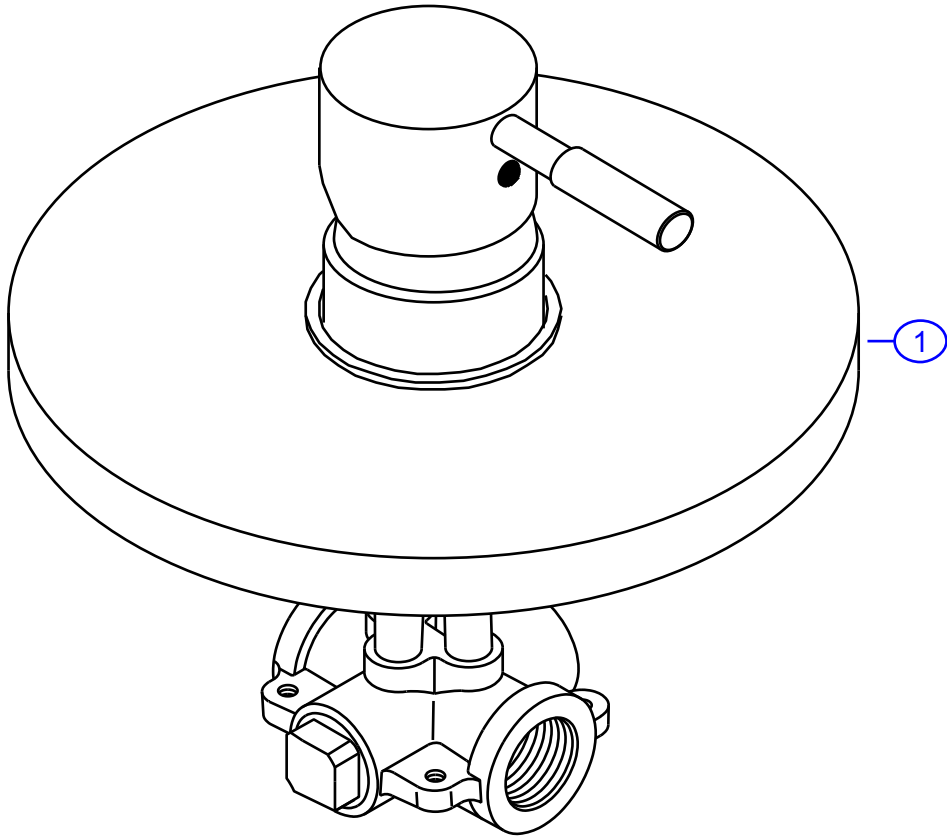
Rev. Change	
A	Original
B	
C	
D	

135-0702-xx

SHURflo Marine Grade Faucets
 5900 Katella Ave., Cypress, CA 90630
 800.854.3218 • 562.795.5200 • Fax 562.795.7564
 www.shurflo.com



Rev #	A	Package Style	Aftermarket	Model #	135-0702-xx
Vendor #	A661123xx-ASC8			Series	Aviani
Drawn By	SS	Approved/Modified	02/17/10	Type	Shower Mixer



NOT DRAWN TO SCALE

