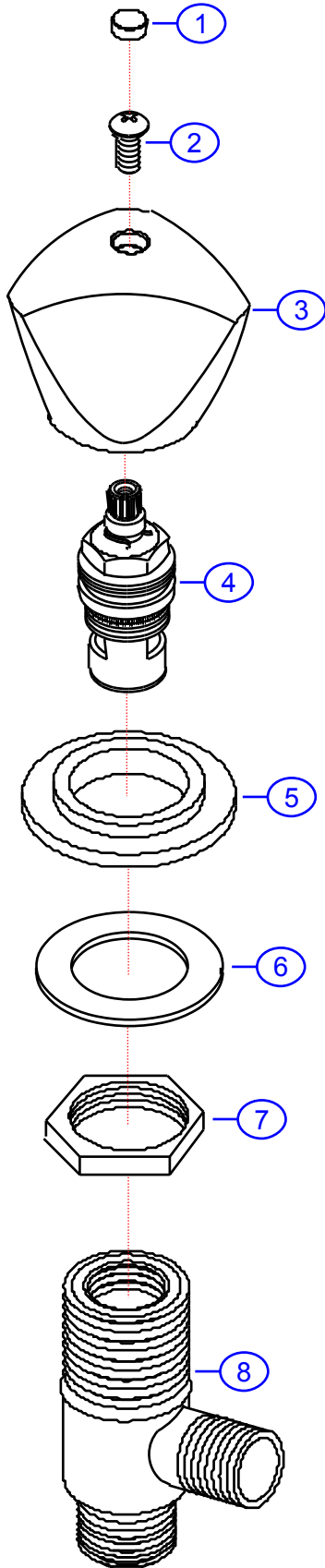


Rev. Change

A	Original
B	
C	
D	



136-0204-xx

SHURflo Marine Grade Faucets
5900 Katella Ave., Cypress, CA 90630
800.854.3218 • 562.795.5200 • Fax 562.795.7564
www.shurflo.com



Rev #	A	Package Style	OEM	Model #	136-0204-xx
Vendor #	FSAB1000xx-ASJ8	Series	Trinidad		
Drawn By	SS	Approved/Modified	12/17/09	Type	Shut-Off Valve (Cold Only)

NOT DRAWN TO SCALE

136-0204-xx

Trinidad
 Shut-Off Valve (Cold Only)
 Rev. A



#	Description	Part #	Finish					Qty
			CP					
1	Blue Cap	E-028109C						1
2	Screw	E-008154						1
3	Trinidad Handle	E-029124	CP					1
4	Ceramic Disk Cartridge	E-507175N						1
5	Escutcheon	E-034114	CP					1
6	Metal Washer	E-013211						1
7	Lock Nut	E-009135						1
8	Valve Body	E-002852N						1

* - Part is not available individually. "Assembled" item is required.

** - Assembly is in-stock at SHURflo and must be shipped directly from SHURflo's distribution center.

**Prepared Exclusively For
 SHURflo Marine Grade Faucets**