

Rev. Change

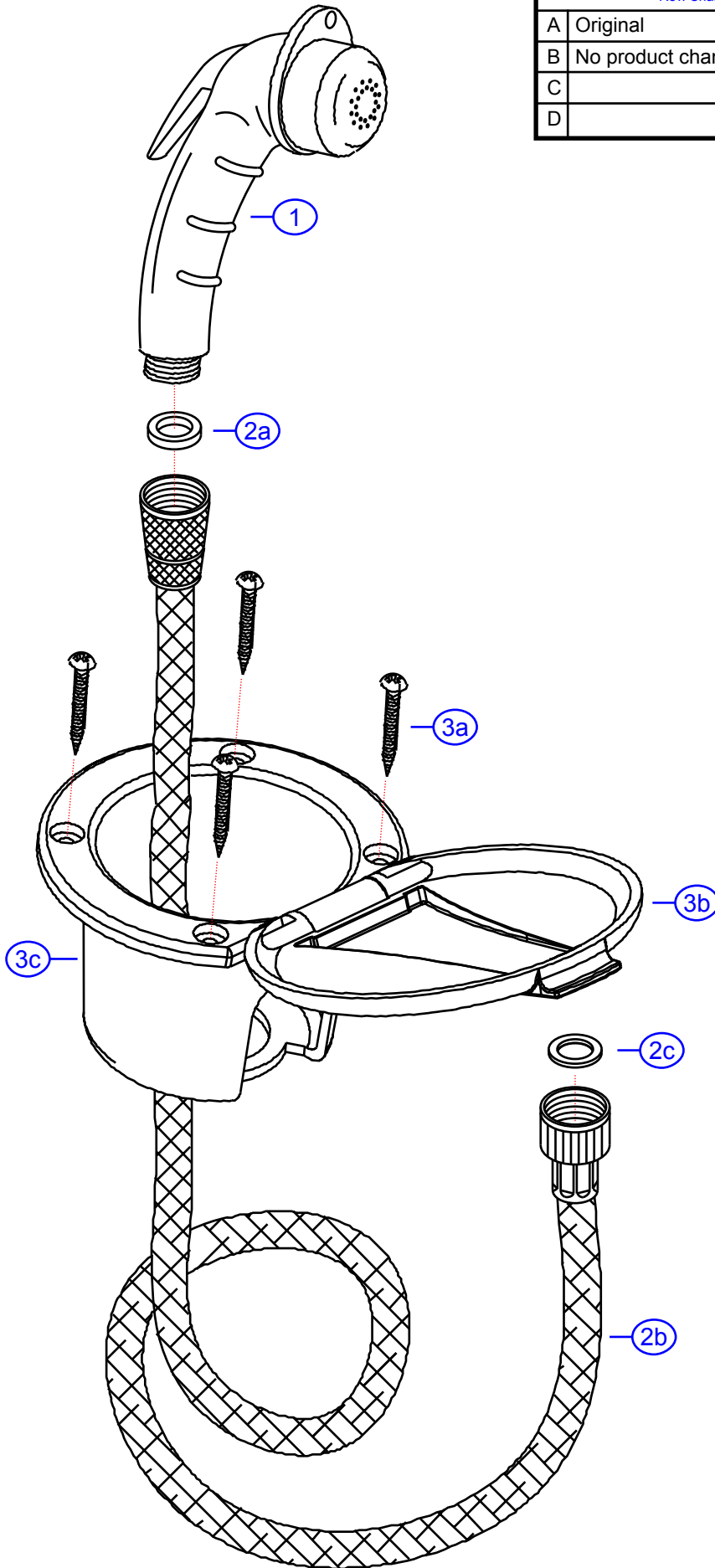
A	Original
B	No product change
C	
D	

137-0000-xx

SHURflo
Pentair Water

SHURflo Marine Grade Faucets
5900 Katella Ave., Cypress, CA 90630
800.854.3218 • 562.795.5200 • Fax 562.795.7564
www.shurflo.com

Rev #	B	Package Style	Aftermarket	Model #	137-0000-xx
Vendor #	S2210205xx-ASB8	Series	Universal	Approved/Modified	12/17/09
Drawn By	SS	Type	Recessed Shower		



NOT DRAWN TO SCALE

