

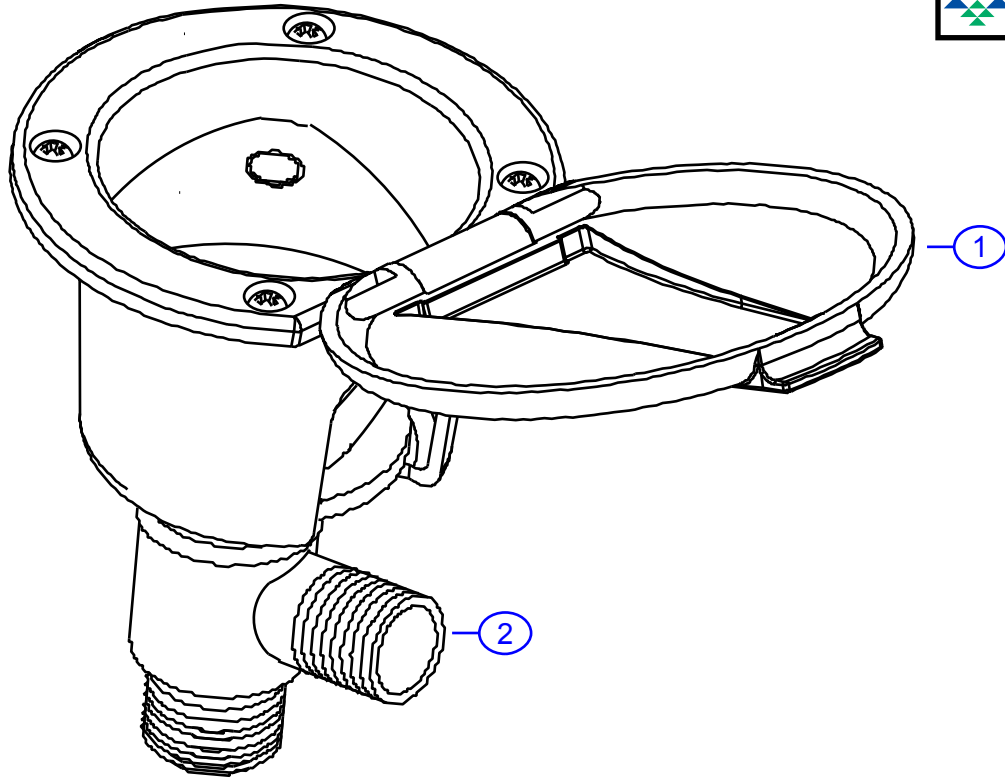
Rev. Change	
A	Original
B	
C	
D	

137-0004-xx

SHURflo Marine Grade Faucets
 5900 Katella Ave., Cypress, CA 90630
 800.854.3218 • 562.795.5200 • Fax 562.795.7564
 www.shurflo.com



Rev #	A	Package Style	Aftermarket	Model #	137-0004-xx
Vendor #				Series	Universal
Drawn By	SS		N/A	Type	Recessed Shut-Off Valve
			Approved/Modified		12/17/09



NOT DRAWN TO SCALE

