

Rev. Change

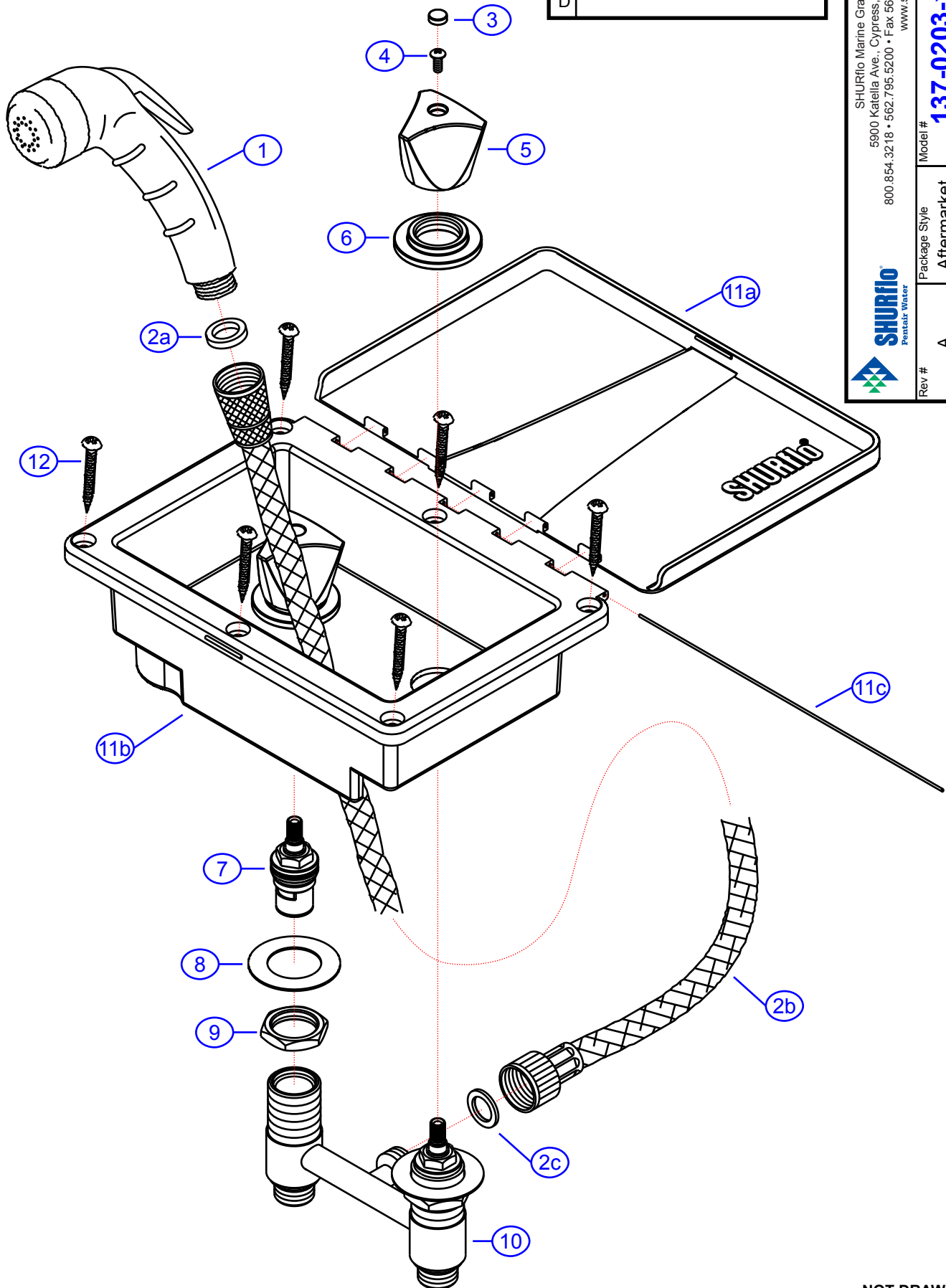
A	Original
B	
C	
D	

137-0203-xx

SHURflo Marine Grade Faucets
5900 Katella Ave., Cypress, CA 90630
800.854.3218 • 562.795.5200 • Fax 562.795.7564
www.shurflo.com



Rev #	A	Package Style	Aftermarket	Model #	137-0203-xx
Vendor #	F4AJ1201xx-ASA8	Series	Trinidad		
Drawn By	SS	Approved/Modified	12/17/09	Type	2-H H/C Transom Shower



NOT DRAWN TO SCALE

