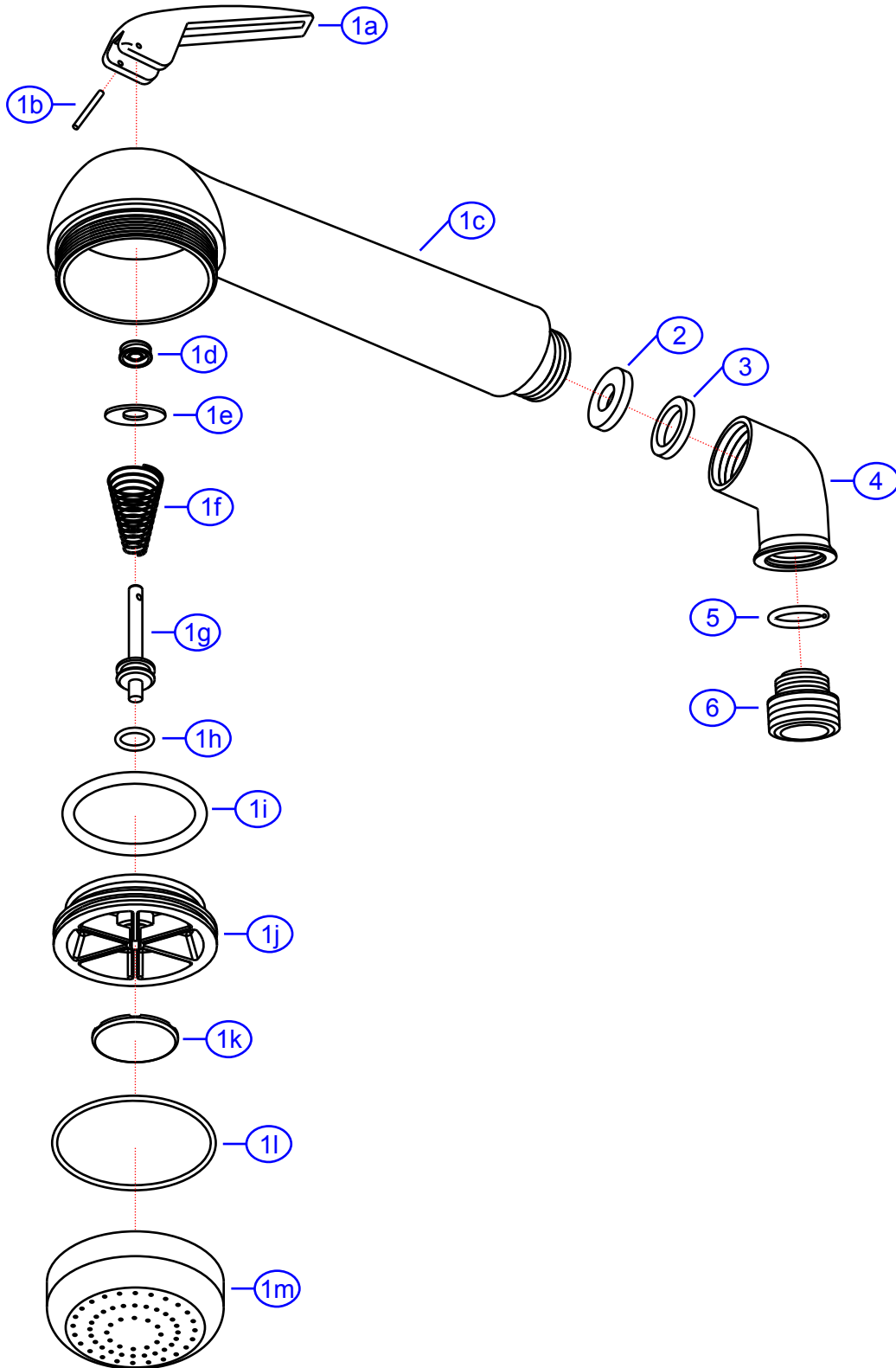


Rev. Change

EA-S2210211xx

SHURflo Marine Grade Faucets
5900 Katella Ave., Cypress, CA 90630
800.854.3218 • 562.795.5200 • Fax 562.795.7564
www.shurflo.com

Rev #	N/A	Package Style	Bulk	Model #	EA-S2210211xx
Vendor #	S2210211xx-ASG8	Approved/Modified	12/17/09	Series	Marine Sprayer
Drawn By	SS	Type	Large w/ Elbow w/Out Hook		



NOT DRAWN TO SCALE

