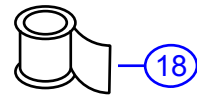
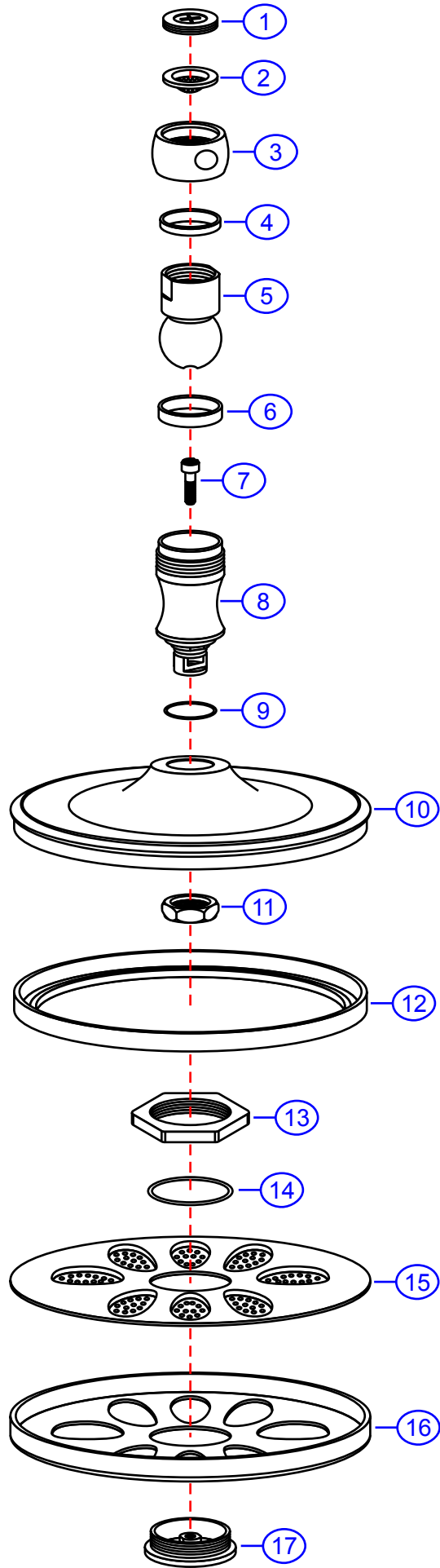


# 8206-Y

by Associated Marketing Concepts  
 21624 Marilla Street, Chatsworth, CA 91311-4123  
 (800) 270-4262 | (818) 678-1651 | FAX (818) 678-1655  
 www.ambassador-amc.com



By	SS	Main Finish	Chrome	Model #	8206-Y
Modified/Approved	4-5-04	Accent Finish	Dura-Life Finish	Series	Daisy
Fulfillment	xxxCY	Valve	NA	Type	Shower Head



18

# 8206-Y



## Daisy Shower Head- CY

#	Description	Quantity	Part #	Finish
1	Water Restrictor	1	E-113011	Plastic
2	Washer	1	E-022028	Rubber
3	Coupler	1	E-054022CP*	Chrome
4	Packing Ring	1	E-060151*	Plastic
5	Ball Joint	1	E-057008CP*	Chrome
6	Gasket	1	E-058001	Rubber
7	Face Screw	1	E-065043	Metal
8	Body	1	E-057109CP*	Chrome
9	O-Ring	1	E-004007*	Rubber
10	Housing	1	E-066032CP*	Chrome
11	Nut	1	E-054057*	Brass
12	Gasket	1	E-058020	Rubber
13	Nut	1	E-070055*	Brass
14	O-Ring	1	E-063007*	Rubber
15	Disc	1	E-112238YP*	Dura-Life Finish
16	Face Plate	1	E-112237CP*	Chrome
17	Center Disc	1	E-112206YP*	Dura-Life Finish
18	Teflon Tape	1	E-203000	Tape

\* Grayed parts are not available individually. "Assembled" item required.