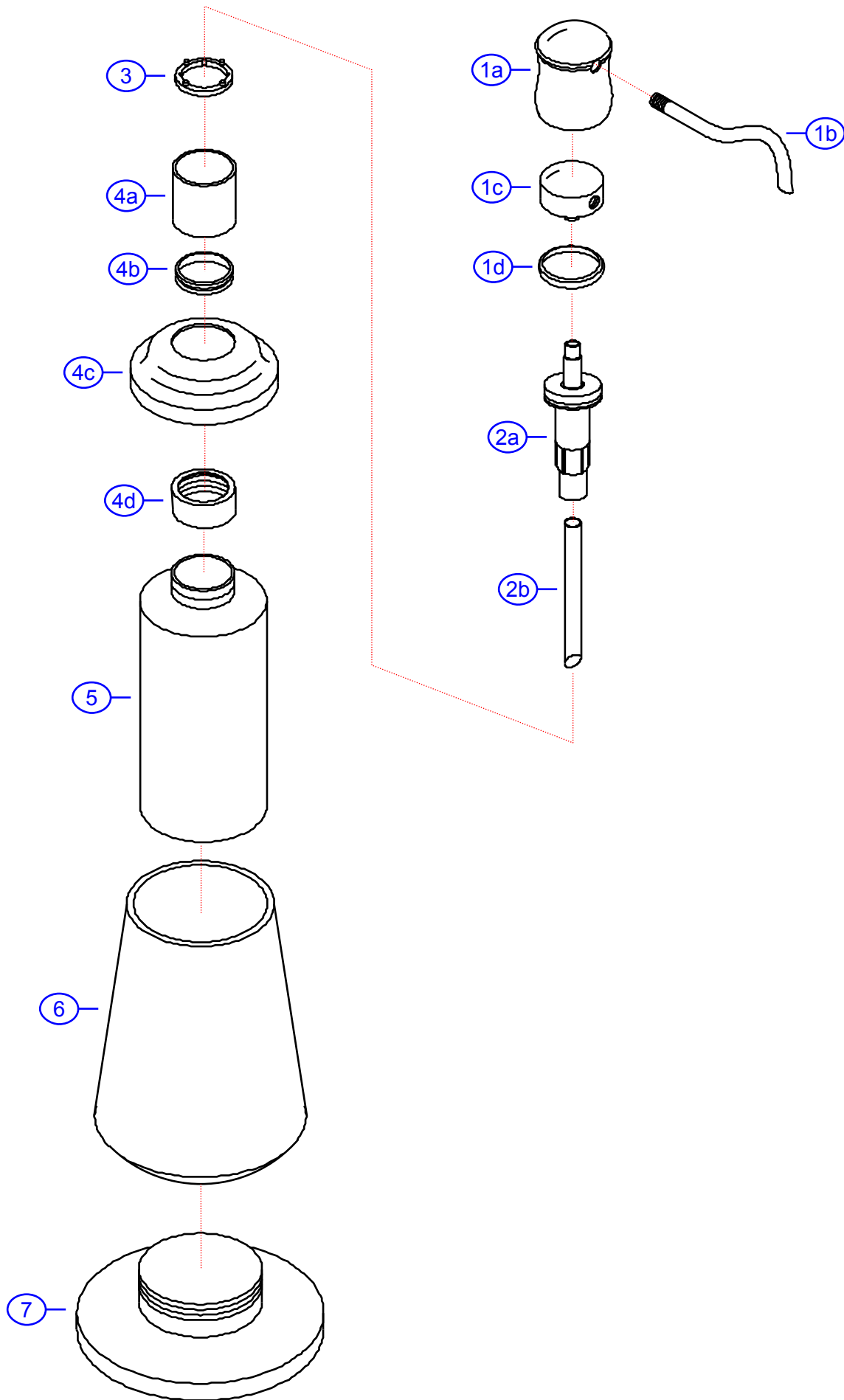


130-0014-xx

SHURflo
First in Fluid Innovation™
SHURflo Marine Grade Faucets
5900 Katiella Ave., Cypress, CA 90630
(562) 795-5200 • FAX (562) 795-7554
www.shurflo.com

Rev #	-	Package Style	OEM	Model #	130-0014-xx	
Vendor #	BSDG0000xx-ASJ8			Series	Universal	
Drawn By	SS	Modified/Approved	1/17/05	Type	Soap/Lotion Dispenser	



NOT DRAWN TO SCALE

