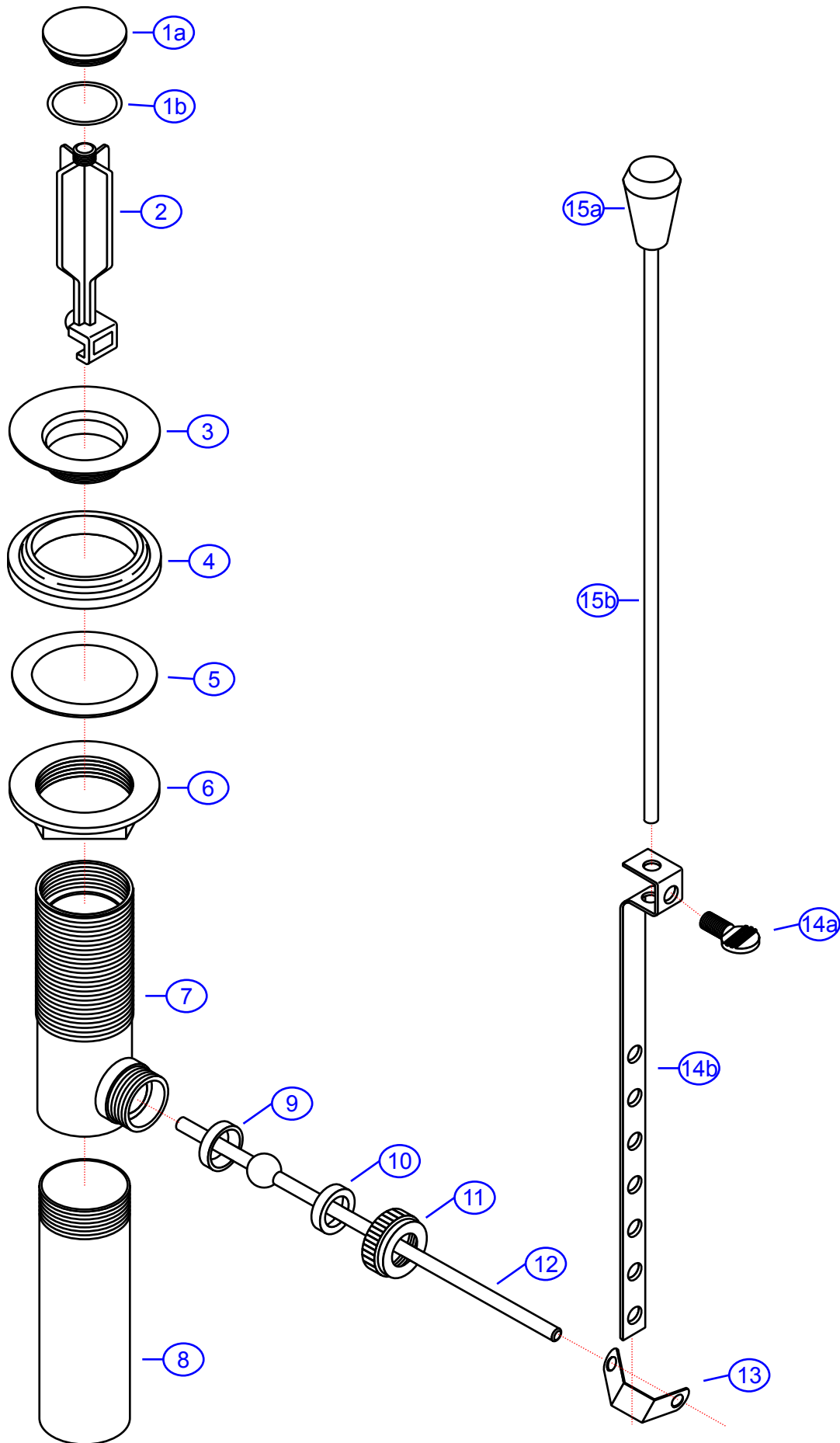


# 130-0027-xx

**SHURflo**  
*First in Fluid Innovation™*  
SHURflo Marine Grade Faucets  
5900 Katiella Ave., Cypress, CA, 90630  
(562) 795-5200 • FAX (562) 795-7554  
www.shurflo.com

Rev #	N/C	Package Style	OEM	Model #	<b>130-0027-xx</b>
Vendor #	A505312xx-ASJ8	Modified/Approved	1/17/05	Series	Universal
Drawn By	SS	Type	Pop-Up Drain (NO Overflow)		



NOT DRAWN TO SCALE

