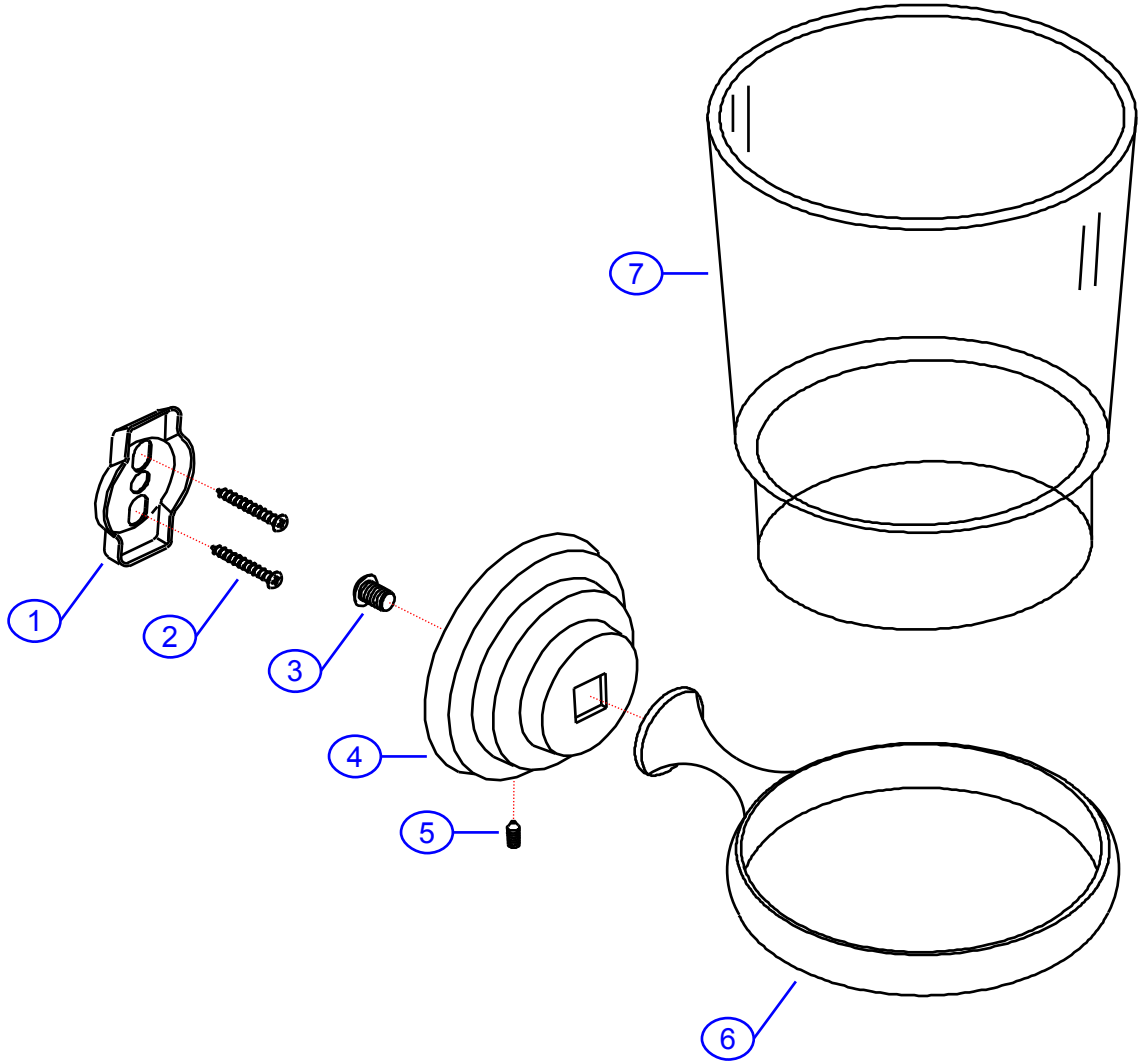


Rev. Change	
A	Original
B	No BOM Change

130-0108-xx

SHURflo Marine Grade Faucets
 5900 Katella Ave., Cypress, CA 90630
 (562) 795-5200 • FAX (562) 795-7554
 www.shurflo.com

Rev #	B	Package Style	OEM	Model #	130-0108-xx
Vendor #	B6661103xx-ASJ8	Series	Stasis	Stasis	Cup Holder
Drawn By	SS	Modified/Approved	12/27/05		



NOT DRAWN TO SCALE

