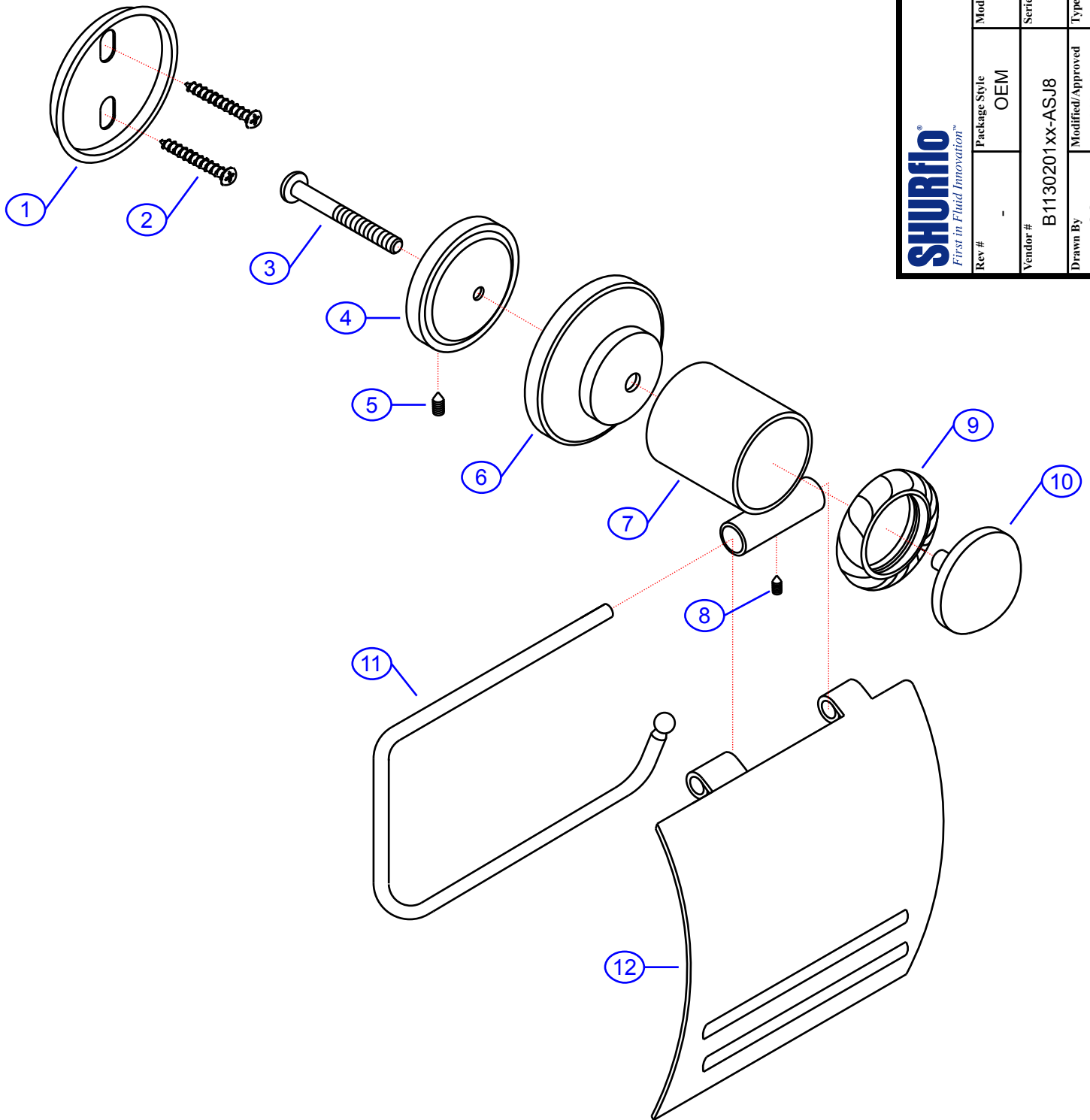


130-0301-xx

SHURflo
First in Fluid Innovation™
SHURflo Marine Grade Faucets
5900 Katiella Ave., Cypress, CA 90630
(562) 795-5200 • FAX (562) 795-7554
www.shurflo.com

Rev #	-	Package Style	OEM	Model #	130-0301-xx
Vendor #	B1130201xx-ASJ8	Series	Naples	Type	Single Post TP Holder
Drawn By	SS	Modified/Approved	2/16/05		



NOT DRAWN TO SCALE

