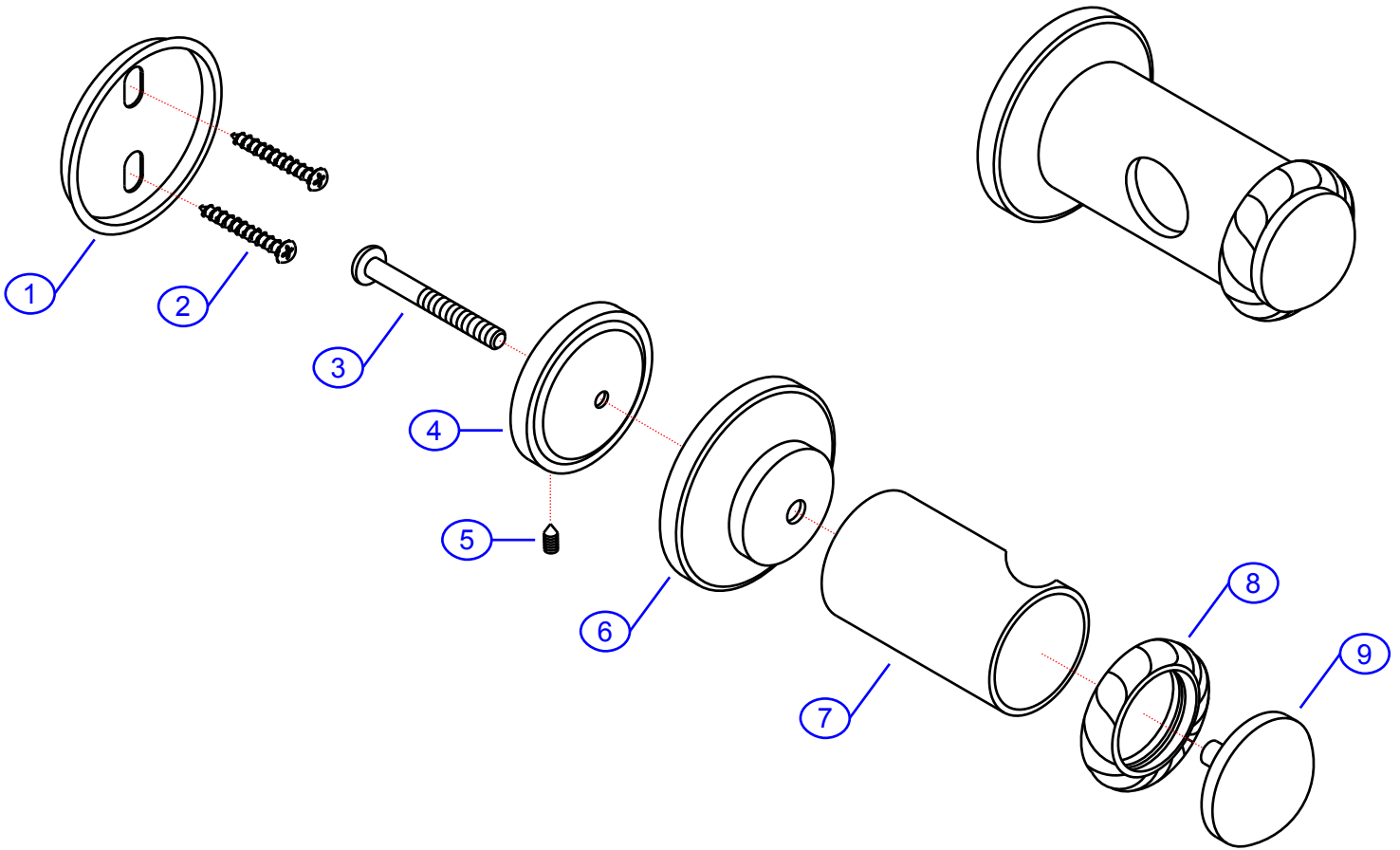


130-0306-xx

**SHURflo**  
First in Fluid Innovation™

SHURflo Marine Grade Faucets  
5900 Katella Ave., Cypress, CA 90630  
(562) 795-5200 • FAX (562) 795-7554  
www.shurflo.com

Rev #	-	Package Style	OEM	Model #	<b>130-0306-xx</b>	
Vendor #	A667110xx-ASJ8			Series	Naples	
Drawn By	SS	Modified/Approved	2/17/05	Type	Towel Bar/TP Post Set	



NOT DRAWN TO SCALE

