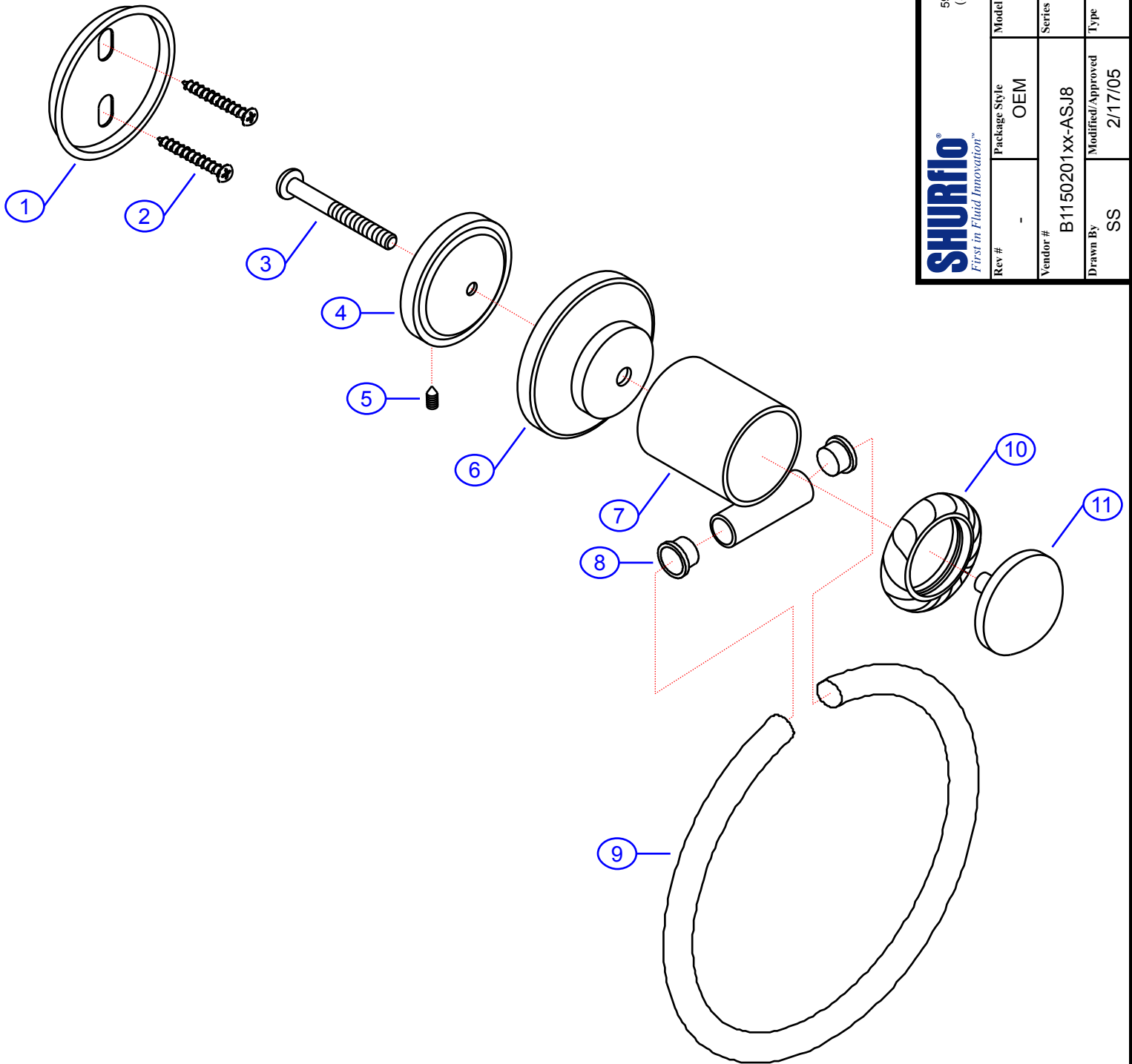


130-0307-xx

**SHURflo**  
First in Fluid Innovation™

SHURflo Marine Grade Faucets  
5900 Katiella Ave., Cypress, CA 90630  
(562) 795-5200 • FAX (562) 795-7554  
www.shurflo.com

Rev #	-	Model #	<b>130-0307-xx</b>
Package Style	OEM	Series	Naples
Vendor #	B1150201xx-ASJ8	Type	Towel Ring
Drawn By	SS	Modified/Approved	2/17/05



NOT DRAWN TO SCALE

