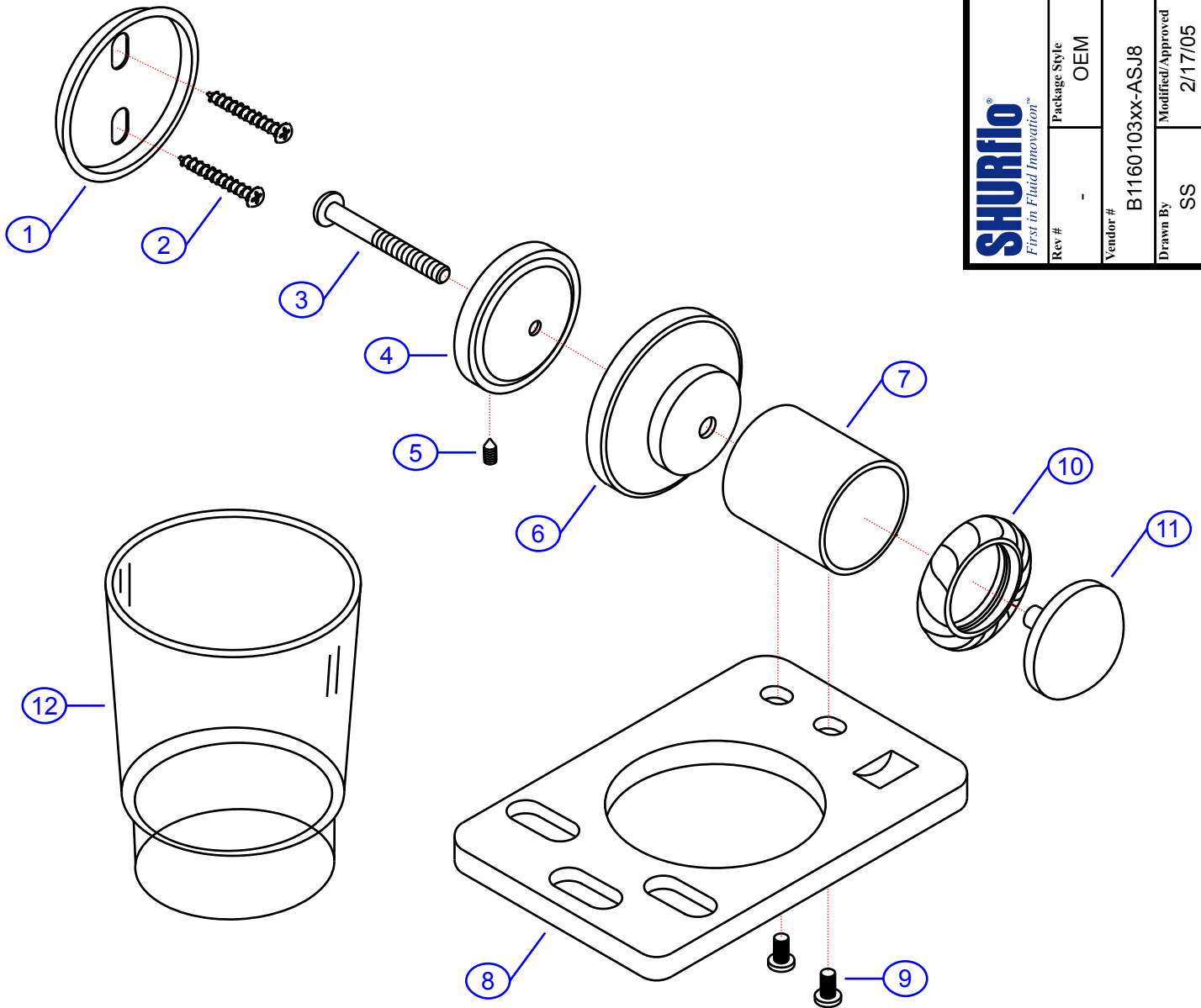


130-0308-xx

SHURflo
First in Fluid Innovation™
SHURflo Marine Grade Faucets
5900 Katiella Ave., Cypress, CA 90630
(562) 795-5200 • FAX (562) 795-7554
www.shurflo.com

Rev #	-	Package Style	OEM	Model #	130-0308-xx	
Vendor #	B1160103xx-ASJ8	Series	Naples	Rev #		
Drawn By	SS	Modify/Approved	2/17/05	Type	Cup/Toothbrush Holder	



NOT DRAWN TO SCALE

