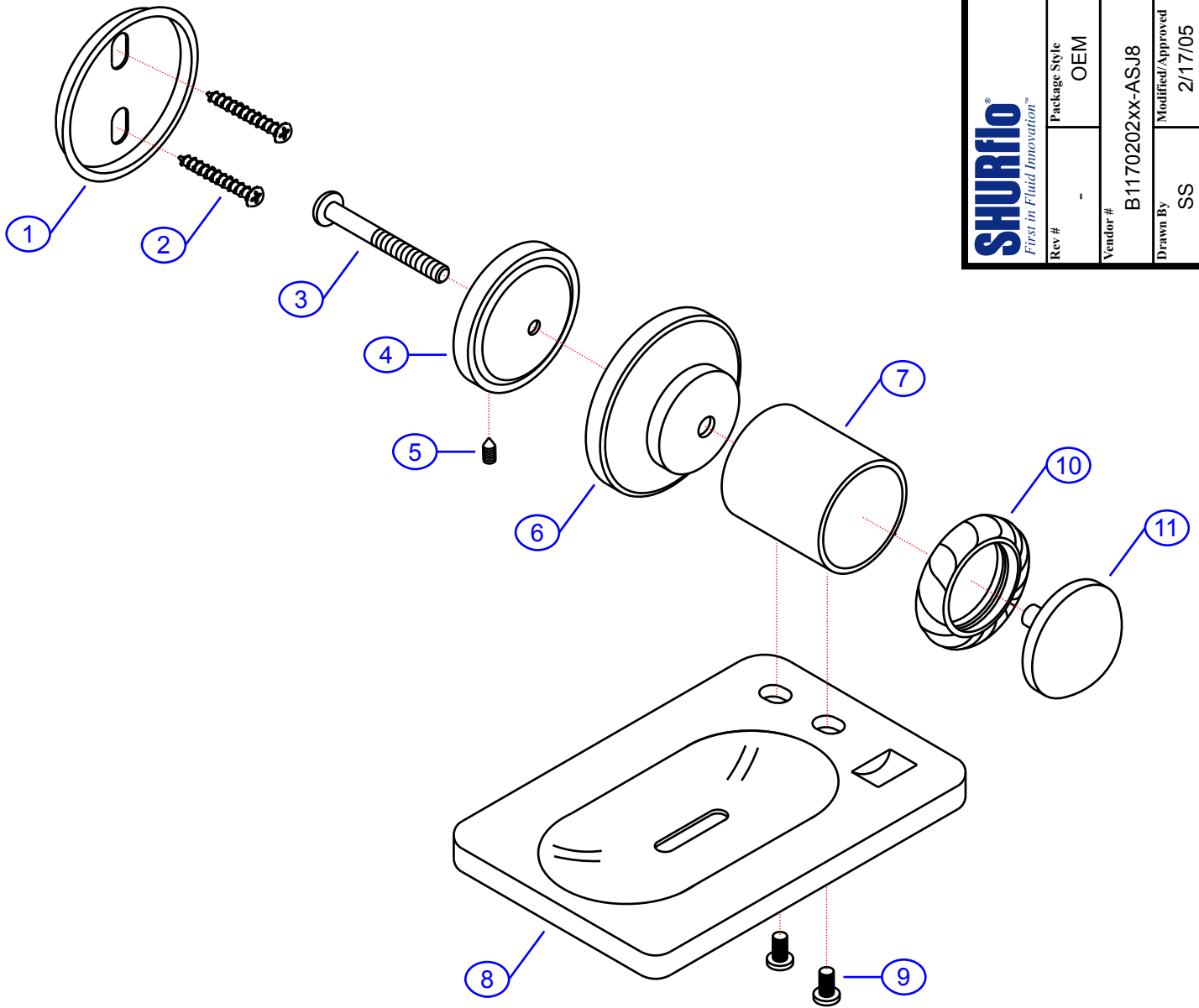


130-0309-xx

SHURflo
First in Fluid Innovation™
SHURflo Marine Grade Faucets
5900 Katiella Ave., Cypress, CA 90630
(562) 795-5200 • FAX (562) 795-7554
www.shurflo.com

Rev #	-	Model #	130-0309-xx
Package Style	OEM	Series	Naples
Vendor #	B1170202xx-ASJ8	Type	Soap Dish
Drawn By	SS	Modify/Approved	2/17/05



NOT DRAWN TO SCALE

