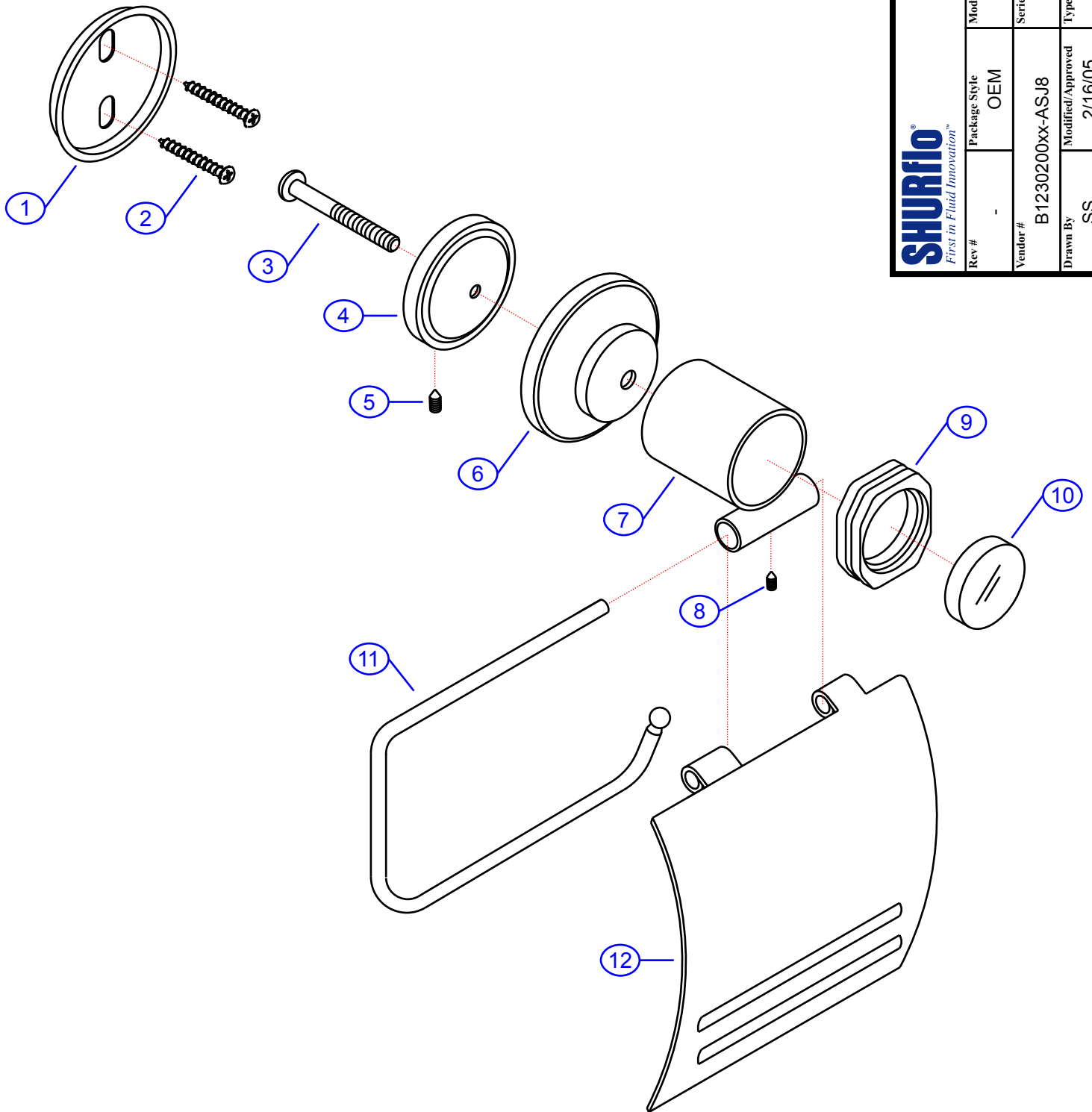


130-0401-xx

**SHURflo**  
First in Fluid Innovation™  
SHURflo Marine Grade Faucets  
5900 Katella Ave., Cypress, CA 90630  
(562) 795-5200 • FAX (562) 795-7554  
www.shurflo.com

Rev #	-	Package Style	OEM	Model #	<b>130-0401-xx</b>
Vendor #	B1230200xx-ASJ8	Series	Pisces	Drawn By	SS
Modified/Approved	2/16/05	Type	Single Post TP Holder		



NOT DRAWN TO SCALE

