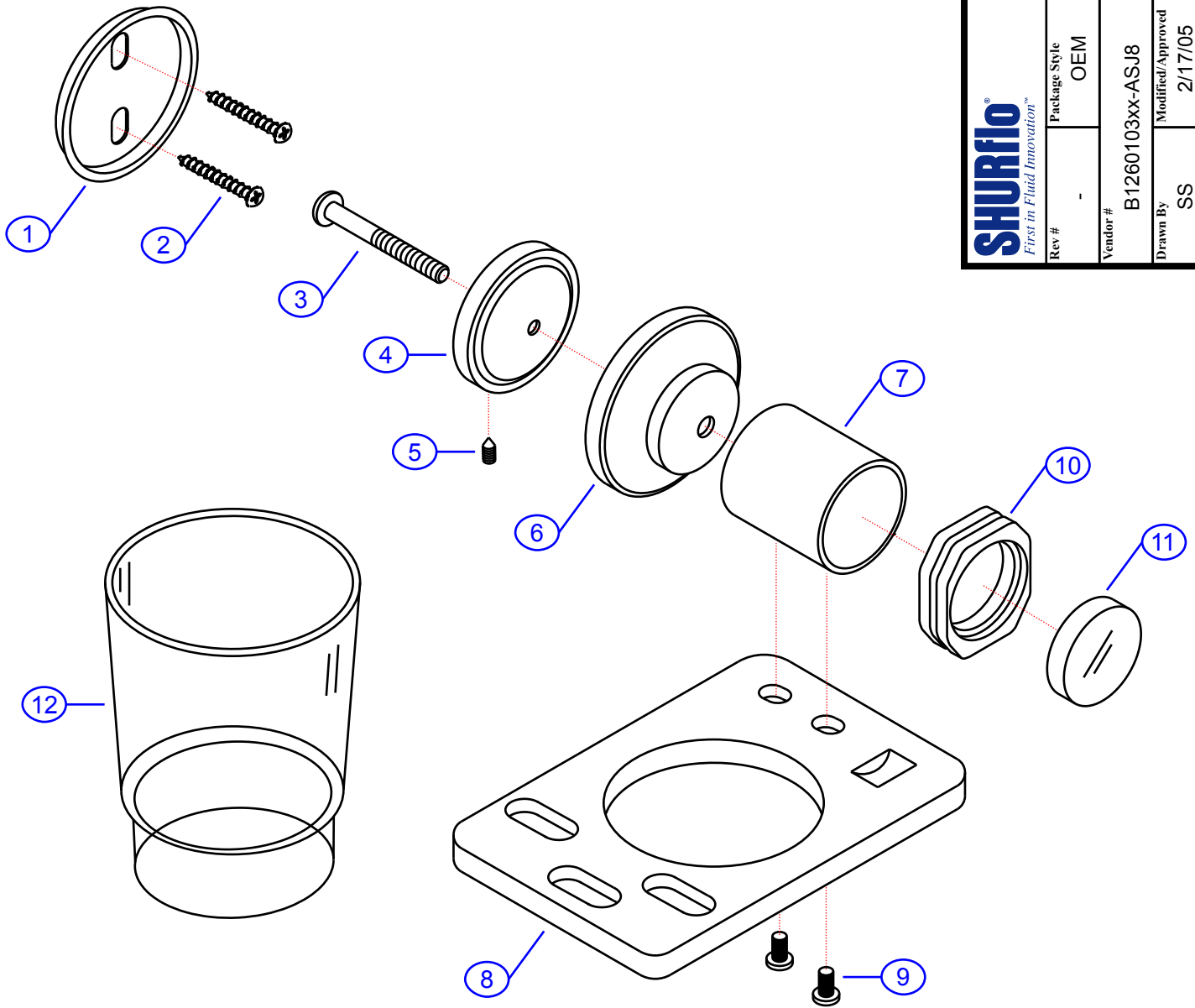


130-0408-xx

SHURflo
First in Fluid Innovation™
SHURflo Marine Grade Faucets
5900 Katiella Ave., Cypress, CA 90630
(562) 795-5200 • FAX (562) 795-7554
www.shurflo.com

Rev #	-	Package Style	OEM	Model #	130-0408-xx
Vendor #	B1260103xx-ASJ8	Series	Pisces	Type	Cup/Toothbrush Holder
Drawn By	SS	Modified/Approved	2/17/05		



NOT DRAWN TO SCALE

