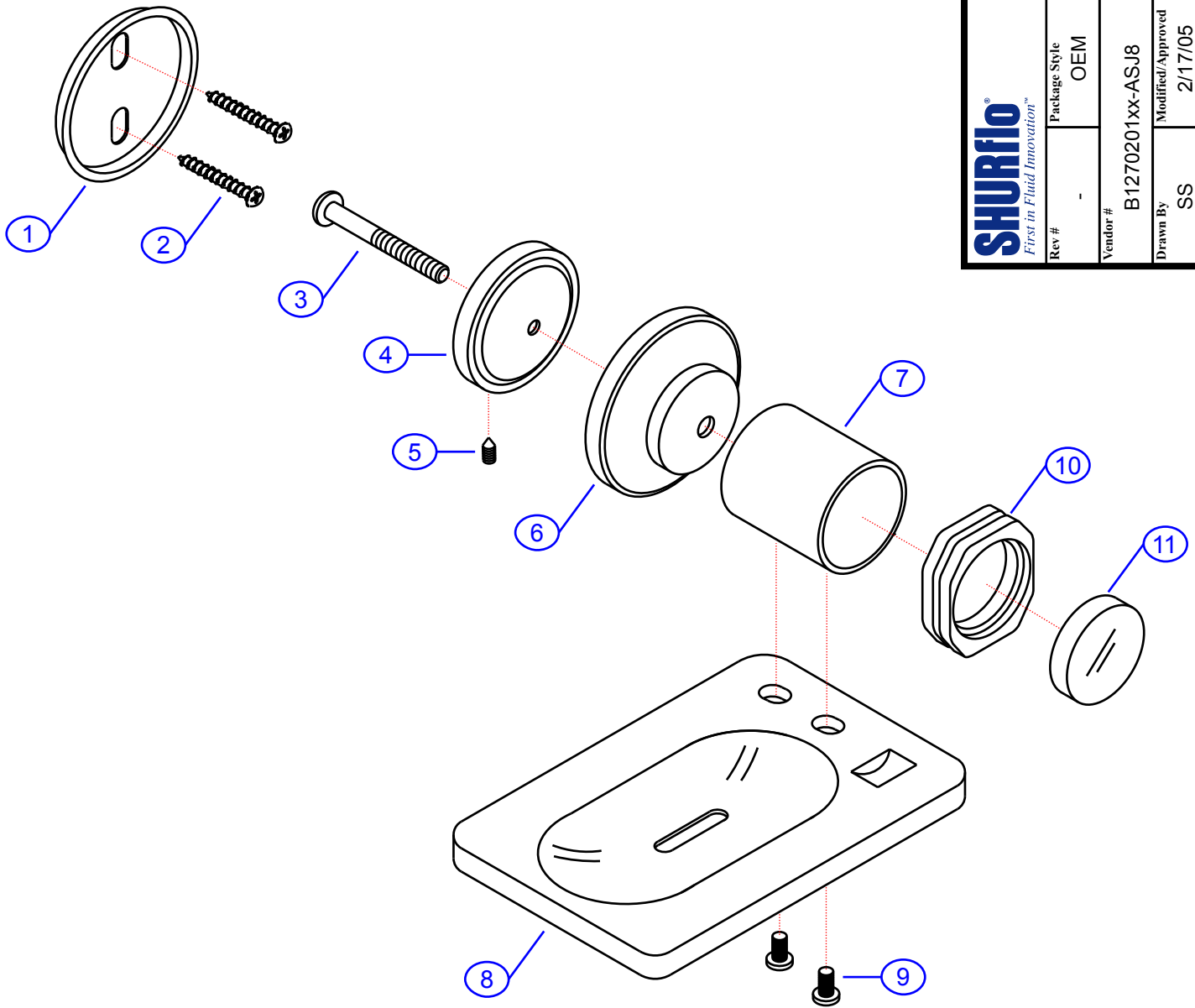


130-0409-xx

**SHURflo**  
First in Fluid Innovation™  
SHURflo Marine Grade Faucets  
5900 Katiella Ave., Cypress, CA 90630  
(562) 795-5200 • FAX (562) 795-7554  
www.shurflo.com

Rev #	-	Model #	<b>130-0409-xx</b>
Package Style	OEM	Series	Pisces
Vendor #	B1270201xx-ASJ8	Type	Soap Dish
Drawn By	SS	Modify/Approved	2/17/05



NOT DRAWN TO SCALE

