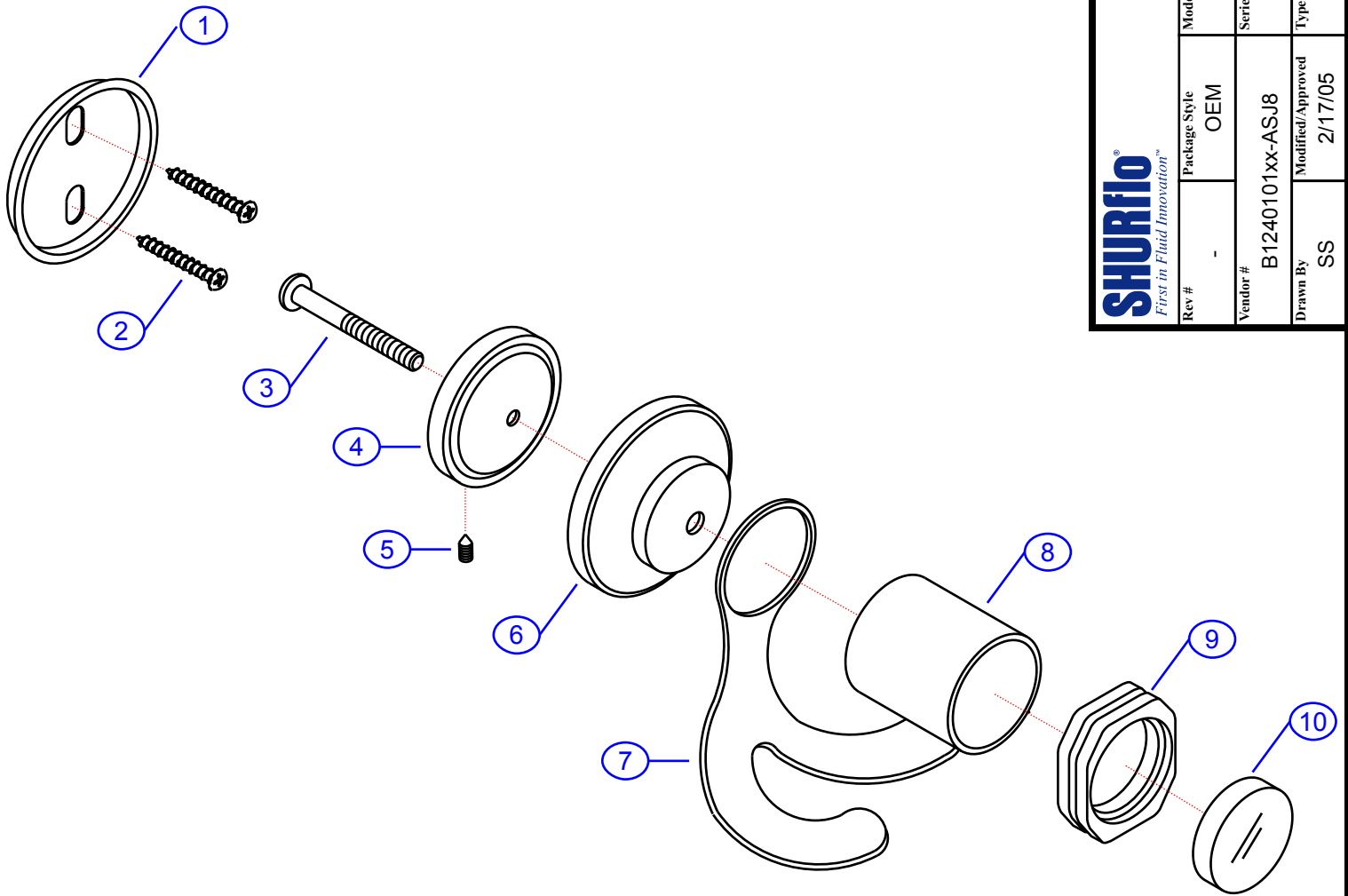


130-0410-xx

SHURflo
First in Fluid Innovation™
SHURflo Marine Grade Faucets
5900 Katella Ave., Cypress, CA 90630
(562) 795-5200 • FAX (562) 795-7554
www.shurflo.com

Rev #	-	Package Style	OEM	Model #	130-0410-xx	
Vendor #	B124010xx-ASJ8	Series			Plisces	
Drawn By	SS	Modified/Approved	2/17/05	Type	Robe Hook	



NOT DRAWN TO SCALE

