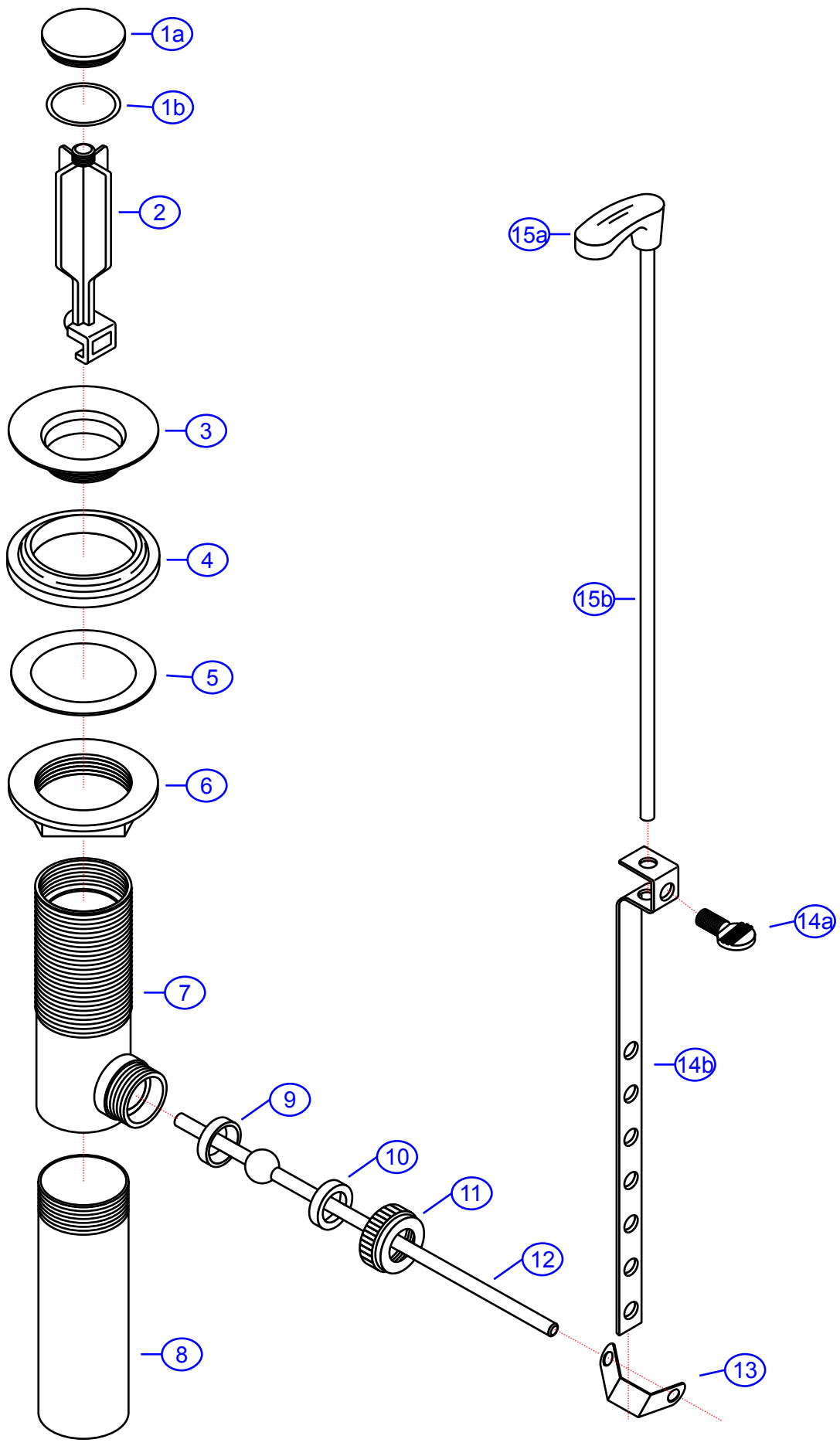


130-0427-xx

SHURflo
First in Fluid Innovation™
SHURflo Marine Grade Faucets
5900 Katella Ave., Cypress, CA 90630
(562) 795-5200 • FAX (562) 795-7554
www.shurflo.com

Rev #	-	Package Style	OEM	Model #	130-0427-xx
Vendor #	A505311xx-ASJ8	Modified/Approved	1/17/05	Series	Pisces
Drawn By	SS	Type	Pop-Up Drain (NO Overflow)		



NOT DRAWN TO SCALE

130-0427-xx

Pisces
Pop-Up Drain(NO Overflow)
Rev. -



#	Description	Part #	Finish				Qty
			CP	NP	CG	NC	
1	Stopper w/ O-Ring	EA-028209	CP	NP	GP	NP	1
1a	Stopper	E-028023*	CP	NP	GP	NP	1
1b	O-Ring	E-004094					1
2	Plunger	E-119008					1
3	Flange	E-224006	CP	NP	CP	CP	1
4	Washer	E-010059					1
5	Friction Ring	E-013038					1
6	Lock Nut	E-009062					1
7	Body	E-123154					1
8	Tailpipe	E-051112					1
9	Packing Ring	E-200109					1
10	Packing Ring	E-200009					1
11	Pivot Ball Nut	E-009063					1
12	Pivot Rod	E-026158					1
13	Spring Clip	E-120030					1
14	Lift Rod Strap w/ Thumb Screw	EA-663601	CP	CP	CP	CP	1
14a	Lift Rod Strap	E-027000*	CP	CP	CP	CP	1
14b	Thumb Screw	E-008070*	CP	CP	CP	CP	1
15	Lift Rod	EA-025000	CP	NP	GP	CP	1
15a	Lift Rod Knob	E-124003*	CP	NP	GP	CP	1
15b	Lift Rod Shaft	E-125028*	CP	NP	GP	CP	1

* - Grayed parts are not available individually. "Assembled" item is required.

Prepared Exclusively For
SHURflo Marine Grade Faucets