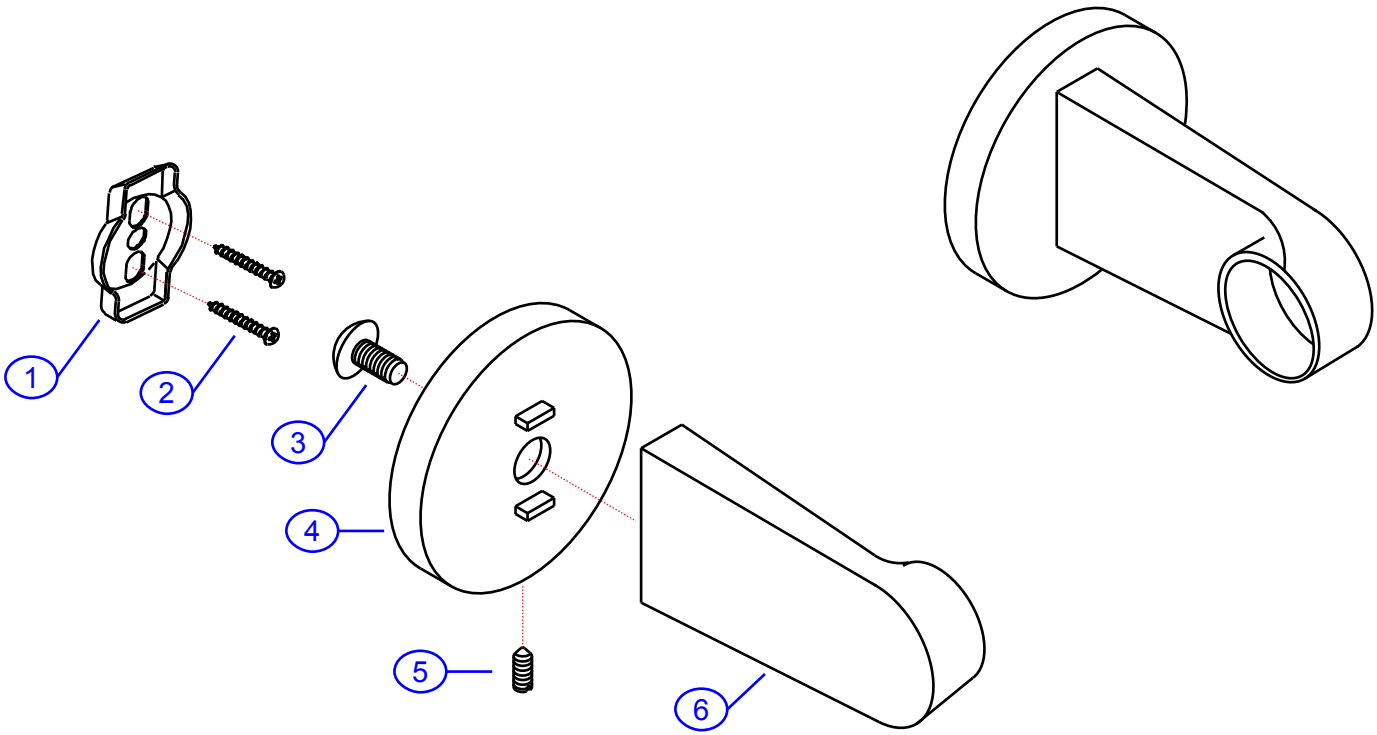


130-1006-xx

**SHURflo**  
First in Fluid Innovation™  
SHURflo Marine Grade Faucets  
5900 Katella Ave., Cypress, CA 90630  
(562) 795-5200 • FAX (562) 795-7554  
www.shurflo.com

Rev #	-	Package Style	OEM	Model #	<b>130-1006-xx</b>
Vendor #	A667148xx-ASJ8	Modified/Approved		Series	Nautilus
Drawn By	SS	Modified/Approved	2/14/05	Type	Towel Bar/TP Post Set



NOT DRAWN TO SCALE

