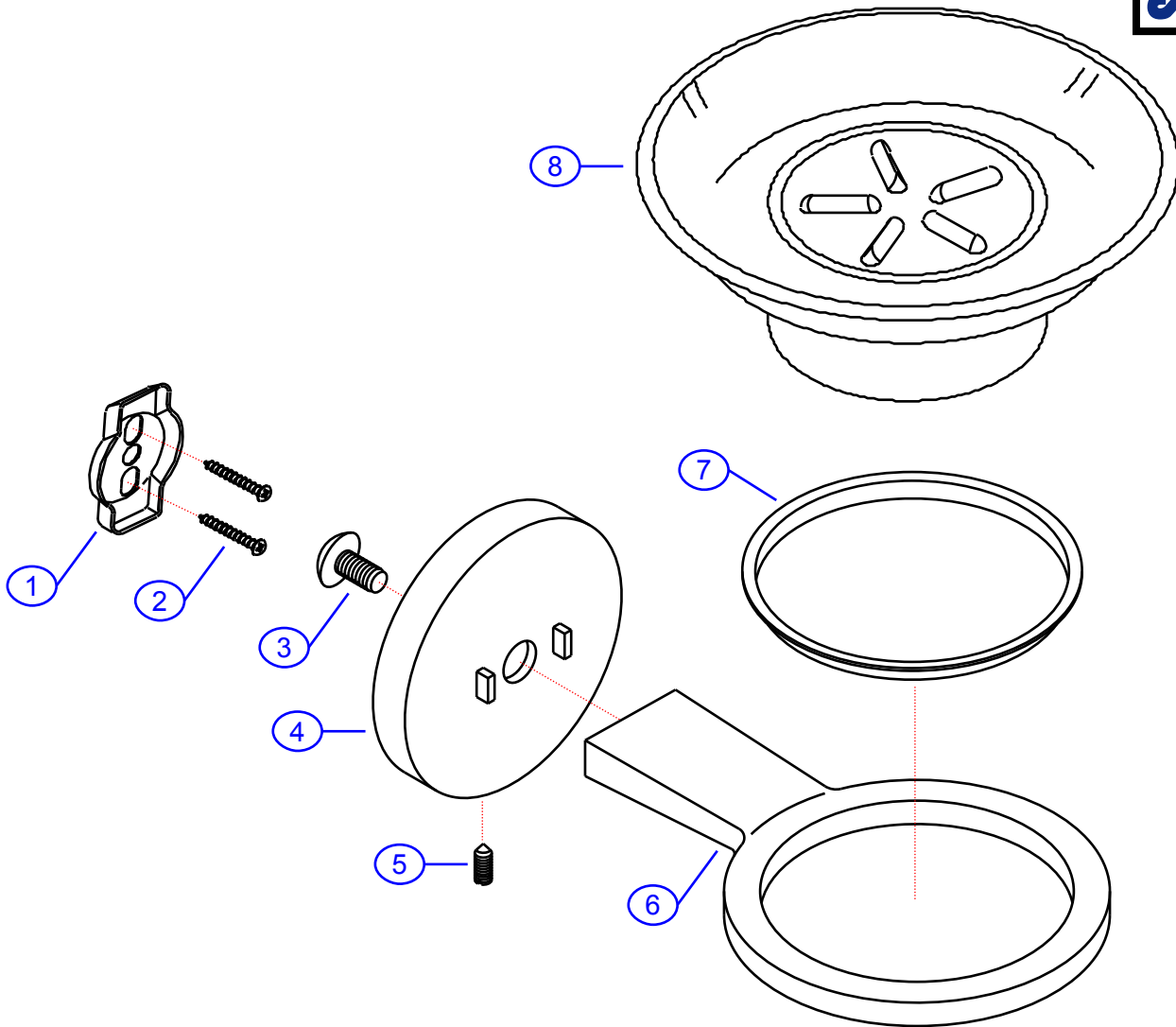


130-1009-xx

SHURflo
First in Fluid Innovation™

SHURflo Marine Grade Faucets
5900 Katiella Ave., Cypress, CA 90630
(562) 795-5200 • FAX (562) 795-7554
www.shurflo.com

| | | | | | |
|----------|-----------------|-------------------|---------|---------|--------------------|
| Rev # | - | Package Style | OEM | Model # | 130-1009-xx |
| Vendor # | B4171201xx-ASJ8 | | | Series | Nautilus |
| Drawn By | SS | Modified/Approved | 2/15/05 | Type | Soap Dish |



NOT DRAWN TO SCALE

