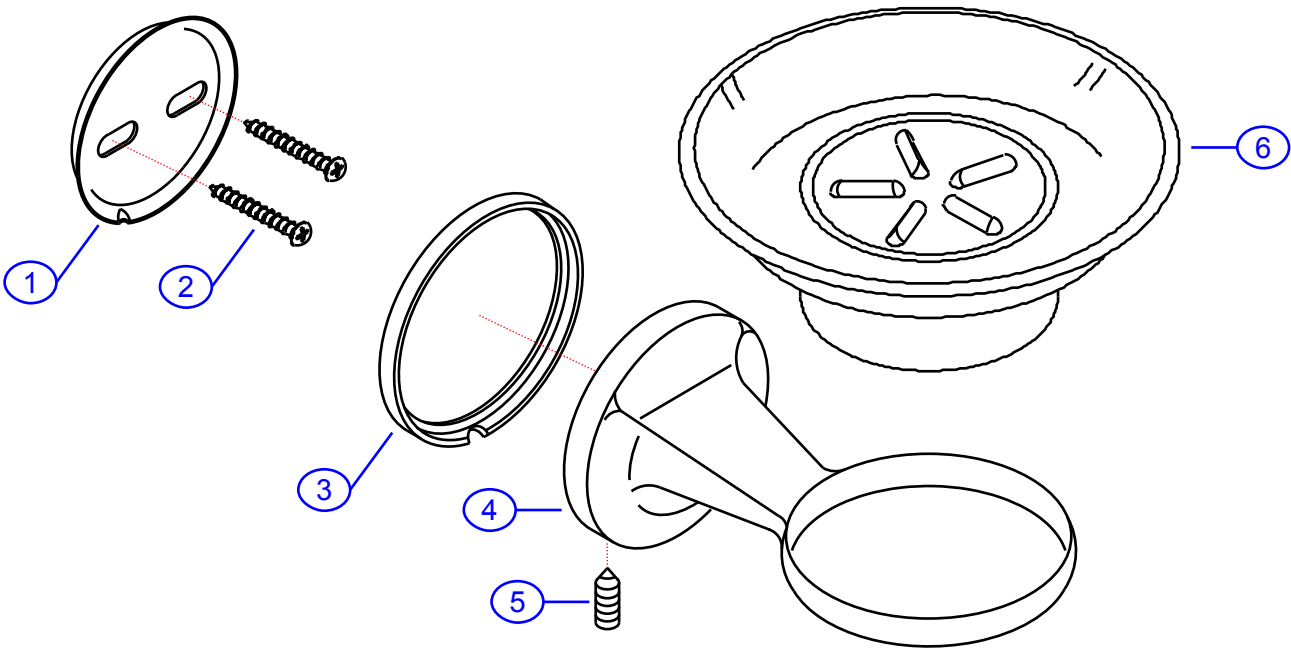


130-1309-xx

**SHURflo**  
First in Fluid Innovation™

SHURflo Marine Grade Faucets  
5900 Katella Ave., Cypress, CA 90630  
(562) 795-5200 • FAX (562) 795-7554  
www.shurflo.com

Rev #	-	Package Style	OEM	Model #	<b>130-1309-xx</b>
Vendor #	B8671201xx-ASJ8	Series	Estancia/Pacifica/Inspiration	Type	Soap Dish
Drawn By	SS	Modified/Approved	2/10/05		



NOT DRAWN TO SCALE

