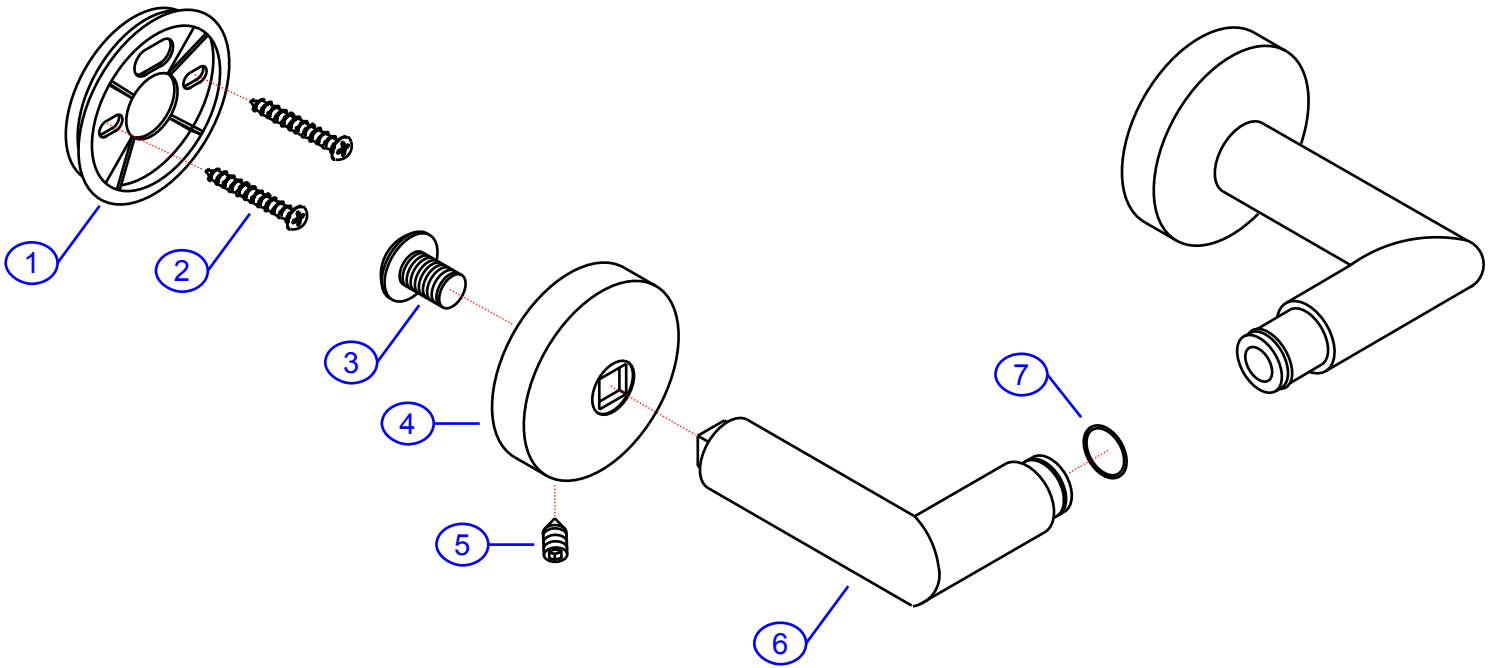


130-1406-xx

SHURflo
First in Fluid Innovation™

SHURflo Marine Grade Faucets
5900 Katella Ave., Cypress, CA 90630
(562) 795-5200 • FAX (562) 795-7554
www.shurflo.com

Rev #	A	Package Style	OEM	Model #	130-1406-xx
Vendor #	A667150xx-ASJ8			Series	Aviani / Allure
Drawn By	SS	Modified/Approved	2/11/05	Type	Towel Bar Post Set



NOT DRAWN TO SCALE

130-1406-xx

Aviani / Allure
Towel Bar Post Set
Rev. A



#	Description	Part #	Finish						Qty
			CP	NP					
1	Bracket	E-294000						2	
2	Wall Screws	E-075022						4	
3	Assembly Screw	E-075050	CP	CP				2	
4	Base	E-241520	CP	NP				2	
5	Set Screw	E-075038						2	
6	Body	E-245137	CP	NP				2	
7	O-Ring	E-072011						2	

* - Grayed parts are not available individually. "Assembled" item is required.

Prepared Exclusively For
SHURflo Marine Grade Faucets