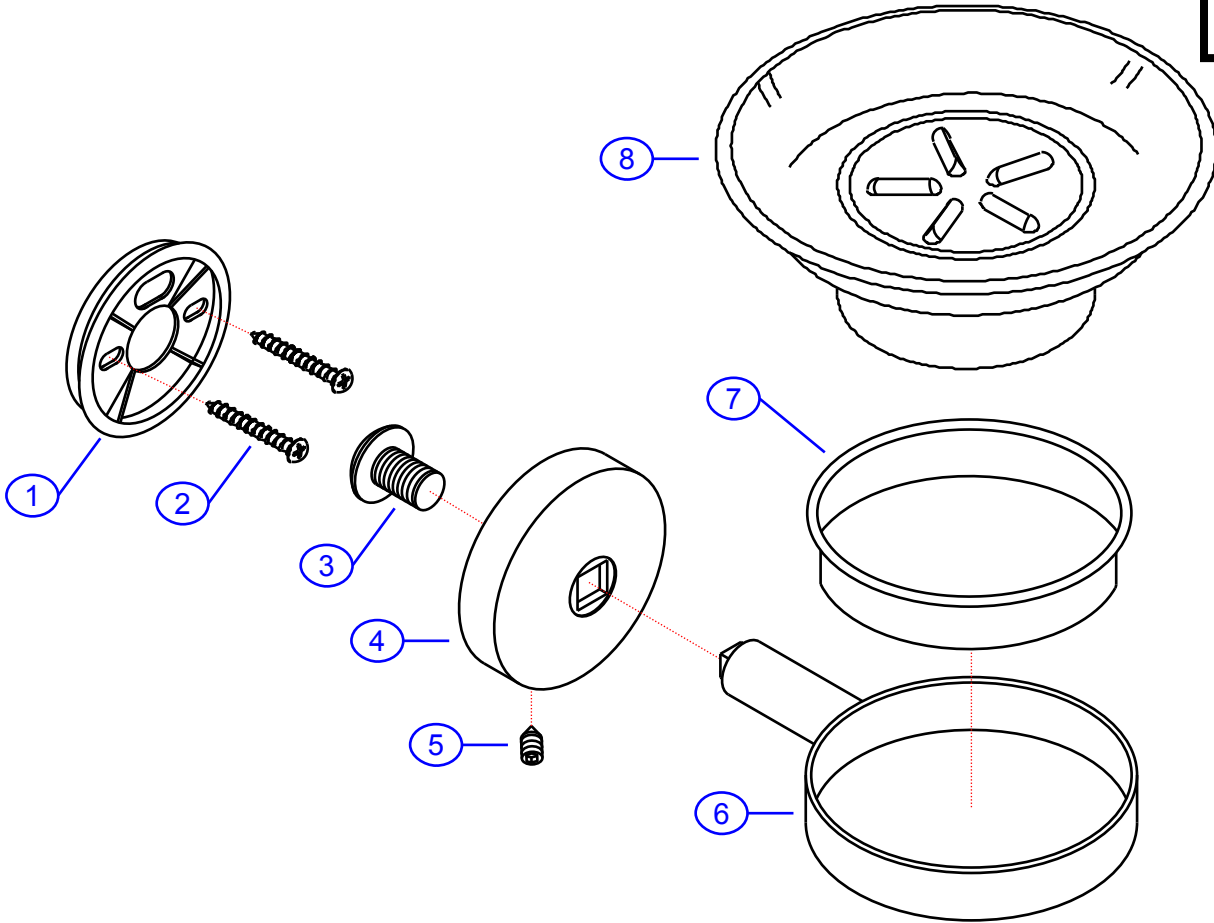


130-1409-xx

SHURflo Marine Grade Faucets  
5900 Katiella Ave., Cypress, CA 90630  
(562) 795-5200 • FAX (562) 795-7554  
www.shurflo.com

**SHURflo**  
First in Fluid Innovation™

Rev #	-	Package Style	OEM	Model #	<b>130-1409-xx</b>
Vendor #	B3970201xx-ASJ8			Series	Aviani / Allure
Drawn By	SS	Modified/Approved	2/11/05	Type	Soap Dish



NOT DRAWN TO SCALE

