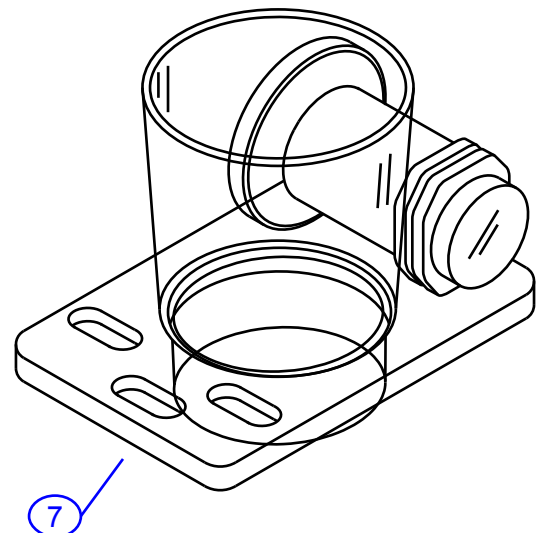
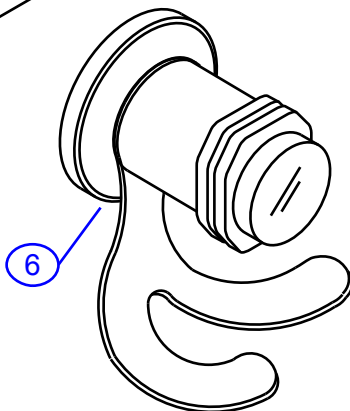
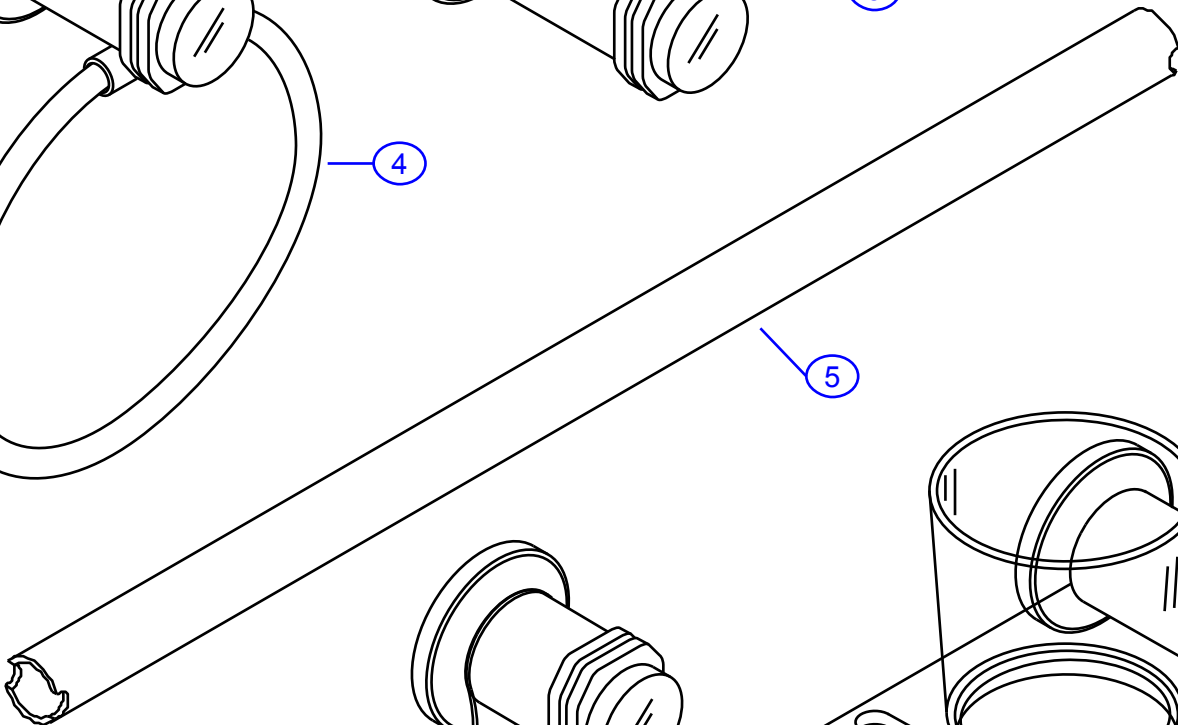
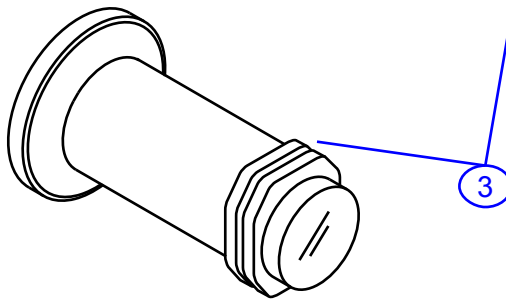
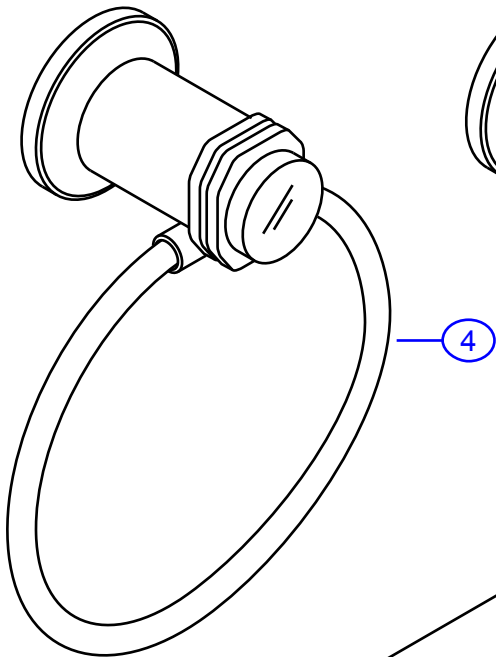
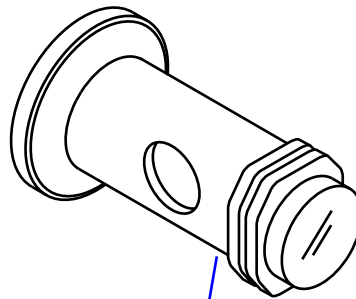
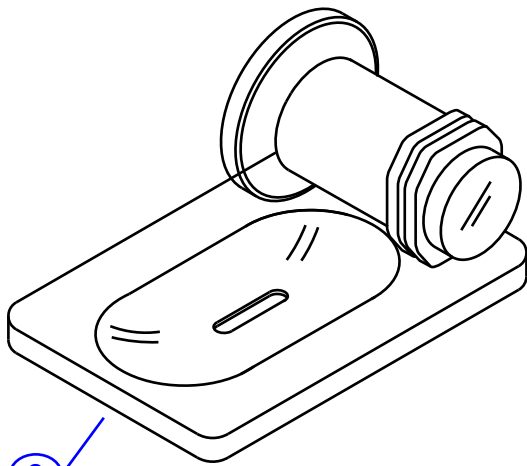
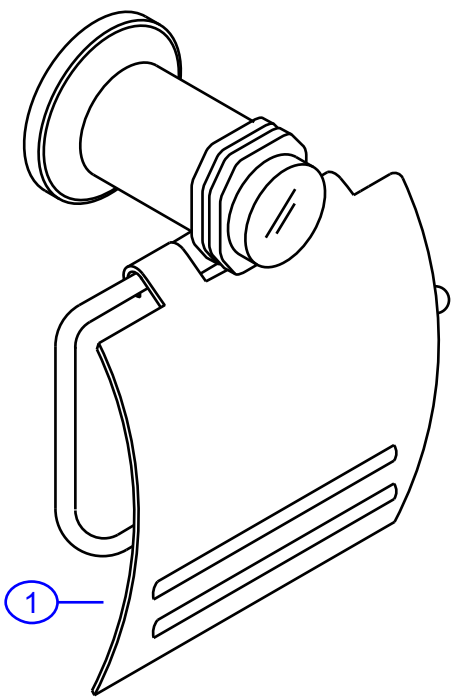


131-0416-xx

SHURflo
First in Fluid Innovation™
SHURflo Marine Grade Faucets
5900 Katella Ave., Cypress, CA 90630
(562) 795-5200 • FAX (562) 795-7554
www.shurflo.com

Rev #	A	Package Style	Aftermarket	Model #	131-0416-xx	
Vendor #	B12Z0600xx-ASA8			Series	Pisces	
Drawn By	SS		Modified/Approved	Type	6 Pc Suite	
					2/21/05	



NOT DRAWN TO SCALE

131-0416-xx

Pisces
6 Pc Suite
Rev. A



#	Description	Part #	Finish						Qty
			CG						
1	Pisces Single Post TP Holder	see 130-0401-xx	CG						1
2	Pisces Soap Dish	see 130-0409-xx	CG						1
3	Pisces Towel Bar Post Set	see 130-0406-xx	CG						1
4	Pisces Towel Ring	see 130-0407-xx	CG						1
5	Universal 24" Towel Bar (16mm)	see 130-0004-xx	CP						1
6	Pisces Robe Hook	see 130-0410-xx	CG						1
7	Pisces Cup Holder	see 130-0408-xx	CG						1

* - Grayed parts are not available individually. "Assembled" item is required.

**Prepared Exclusively For
SHURflo Marine Grade Faucets**