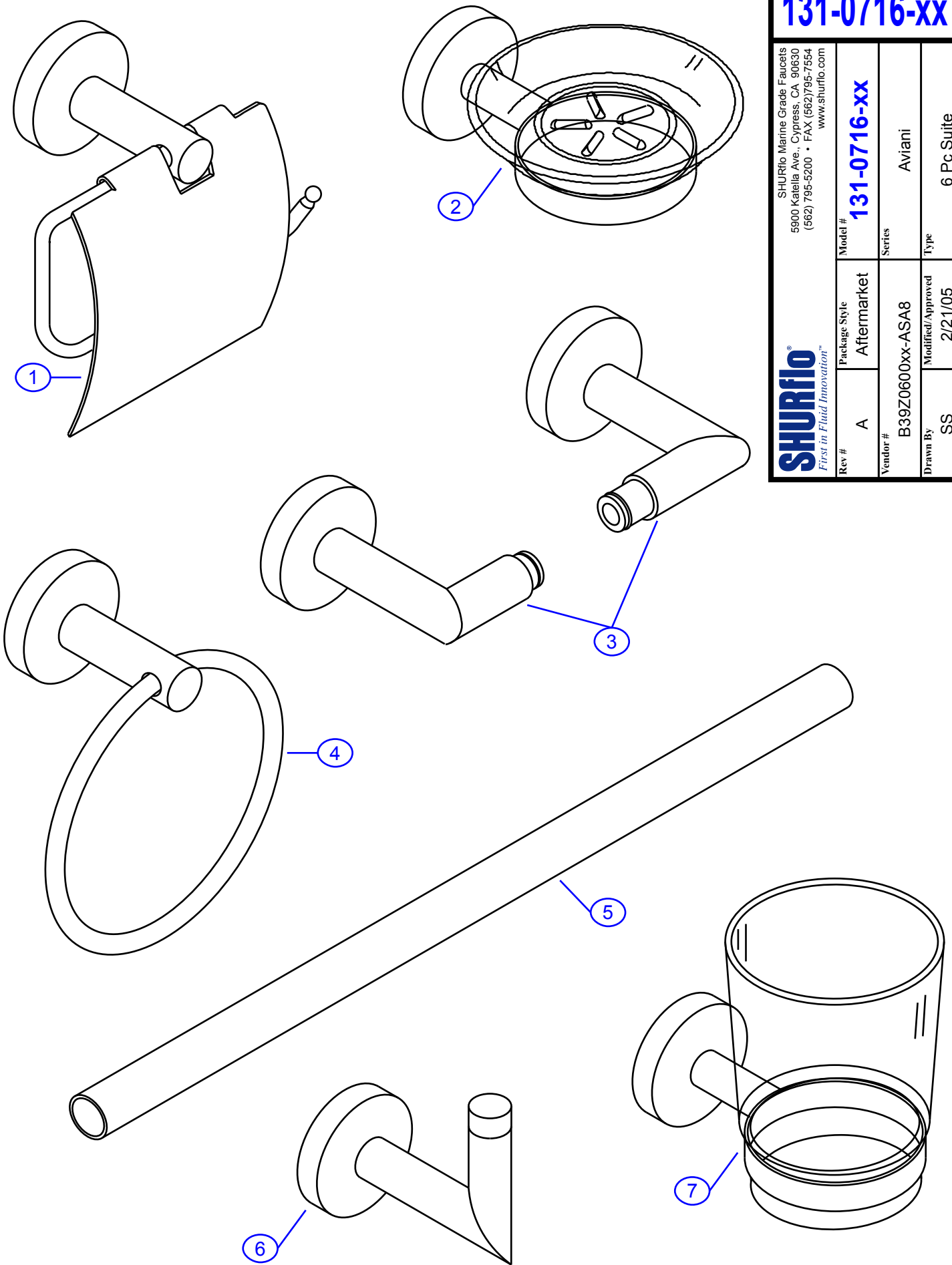


131-0716-xx

SHURflo Marine Grade Faucets  
5900 Katiella Ave., Cypress, CA 90630  
(562) 795-5200 • FAX (562) 795-7554  
www.shurflo.com

**SHURflo**  
First in Fluid Innovation™

Rev #	A	Package Style	Aftermarket	Model #	131-0716-xx
Vendor #	B39Z0600xx-ASA8	Series	Aviani		
Drawn By	SS	Modified/Approved	2/21/05	Type	6 Pc Suite



NOT DRAWN TO SCALE

