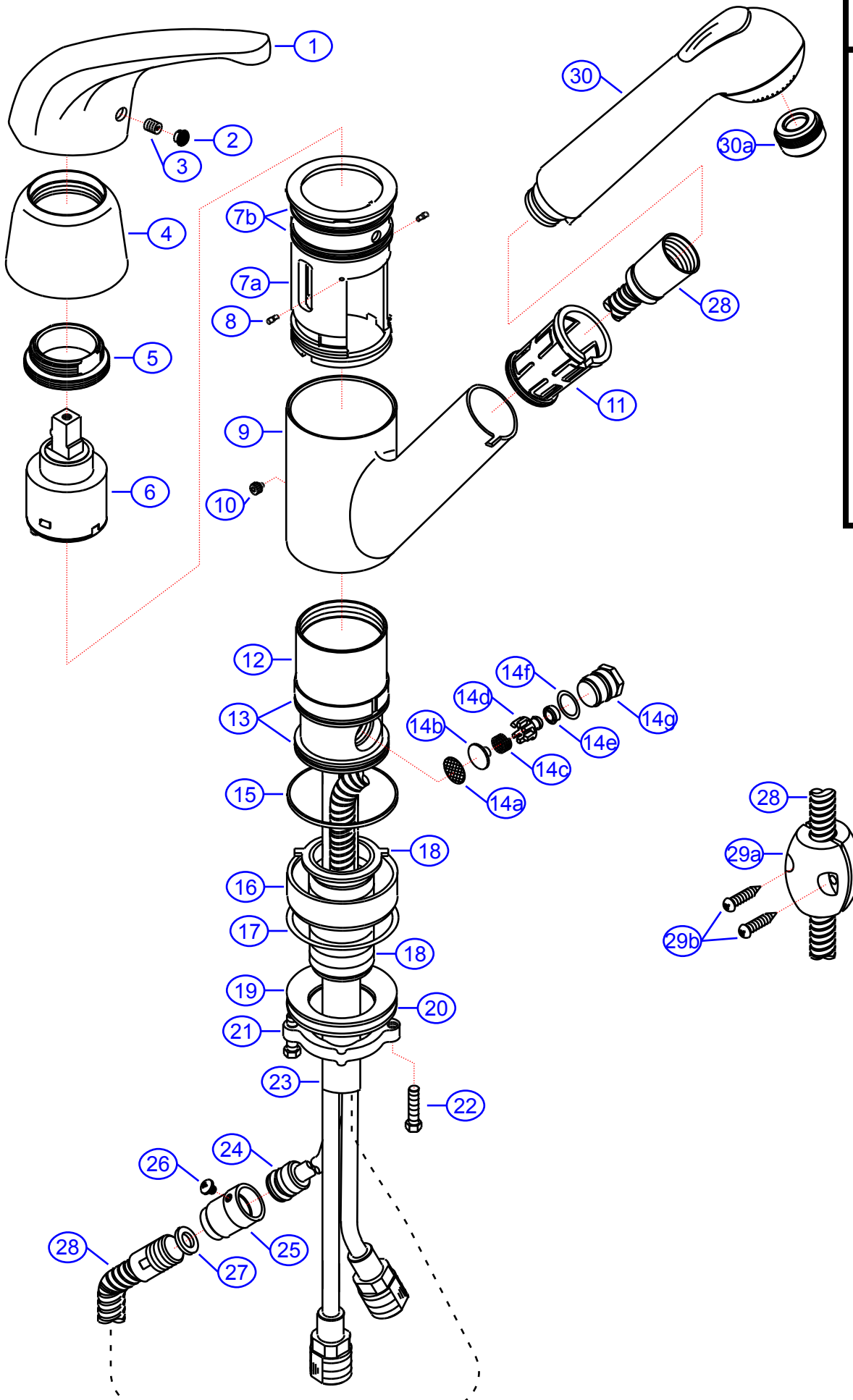


# 132-0003-xx



**SHURflo**  
*First in Fluid Innovation™*  
 SHURflo Marine Grade Faucets  
 5900 Katella Ave., Cypress, CA 90630  
 (562) 795-5200 • FAX (562) 795-7554  
 www.shurflo.com

Model #	<b>132-0003-xx</b>		
Package Style	OEM	Series	Universal (Pacifica)
Rev #	A	Vendor #	FP1B4002xx-ASJ8
Modified/Approved		Drawn By	SS
Type			6/18/04
			Pull-Out Galley Faucet

