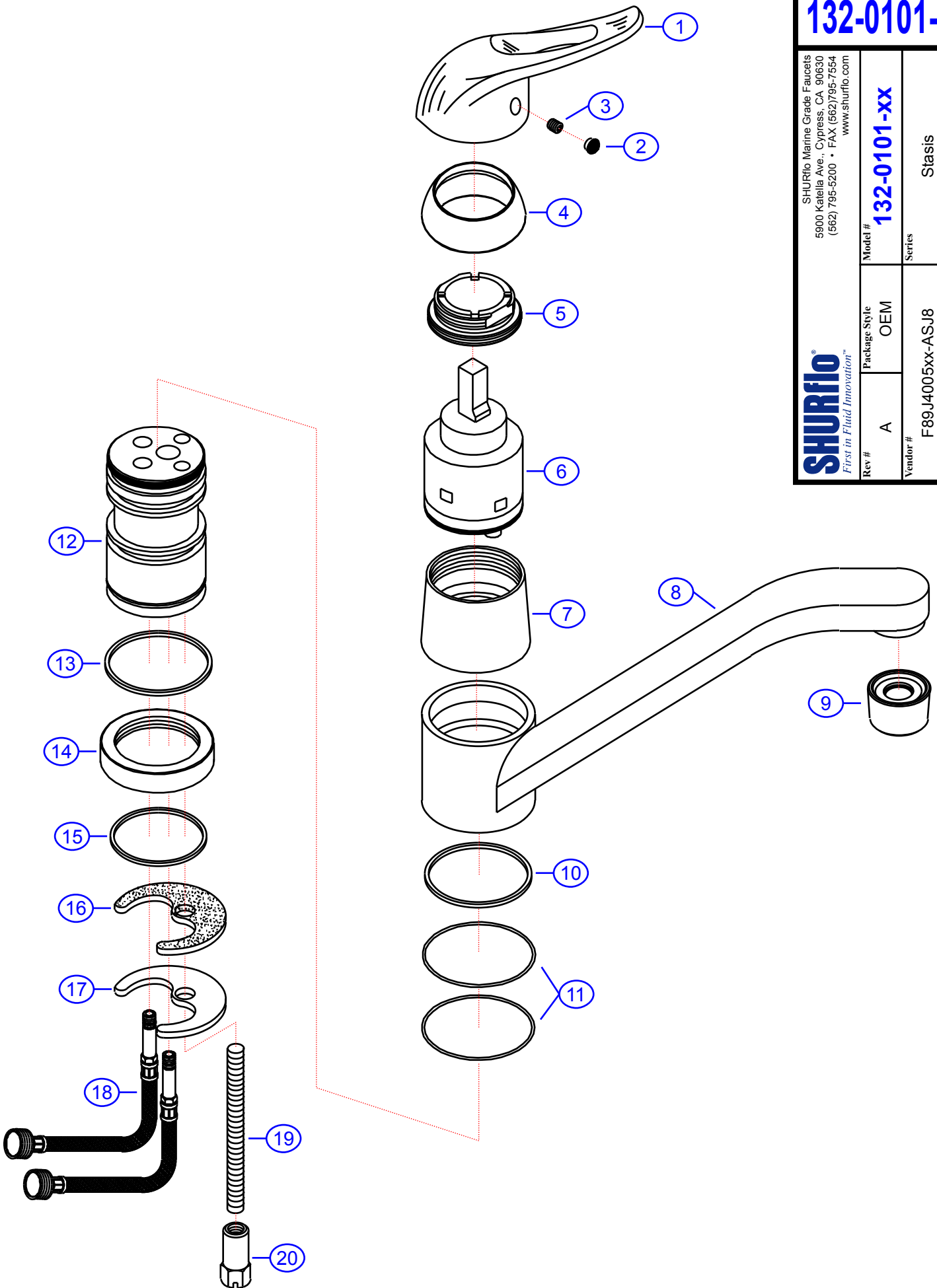


132-0101-xx

SHURflo
First in Fluid Innovation™
 SHURflo Marine Grade Faucets
 5900 Katella Ave., Cypress, CA 90630
 (562) 795-5200 • FAX (562) 795-7554
 www.shurflo.com

Rev #	A	Package Style	OEM	Model #	132-0101-xx		
Vendor #	F89J4005xx-ASJ8			Series	Stasis		
Drawn By	SS	Modified/Approved	6/17/04	Type	Galley Faucet		



NOT DRAWN TO SCALE

132-0101-xx

Stasis
Galley Faucet
Rev. A



#	Description	Part #	Finish					Qty
			CP	CG	NP	NC		
1	Stasis Handle	E-029081	CP	CP	NP	NP		1
2	Blue/Red Plug	E-028065						1
3	Set Screw	E-008003						1
4	Cap	E-103016	CP	GP	NP	CP		1
5	Retainer Nut	E-104002						1
6	Ceramic Disk Cartridge	E-507048N						1
7	Sleeve	E-217009	CP	CP	NP	NP		1
8	Spout	E-100009N	CP	CP	NP	NP		1
9	Aerator	E-500412N	CP	GP	NP	CP		1
10	Packing Ring	E-200000						1
11	O-Ring	E-004008N						2
12	Valve Body	E-044022N						1
13	Packing Ring	E-200000						1
14	Base	E-217030	CP	GP	NP	CP		1
15	Gasket	E-048002						1
16	Rubber Horseshoe Washer	E-013039						1
17	Metal Horseshoe Washer	E-013040	Zn	Zn	Zn	Zn		1
18	Supply Hose	E-105160N						2
19	Mounting Rod	E-017032	Zn	Zn	Zn	Zn		1
20	Mounting Nut	E-009067						1

* - Grayed parts are not available individually. "Assembled" item is required.

Prepared Exclusively For
SHURflo Marine Grade Faucets