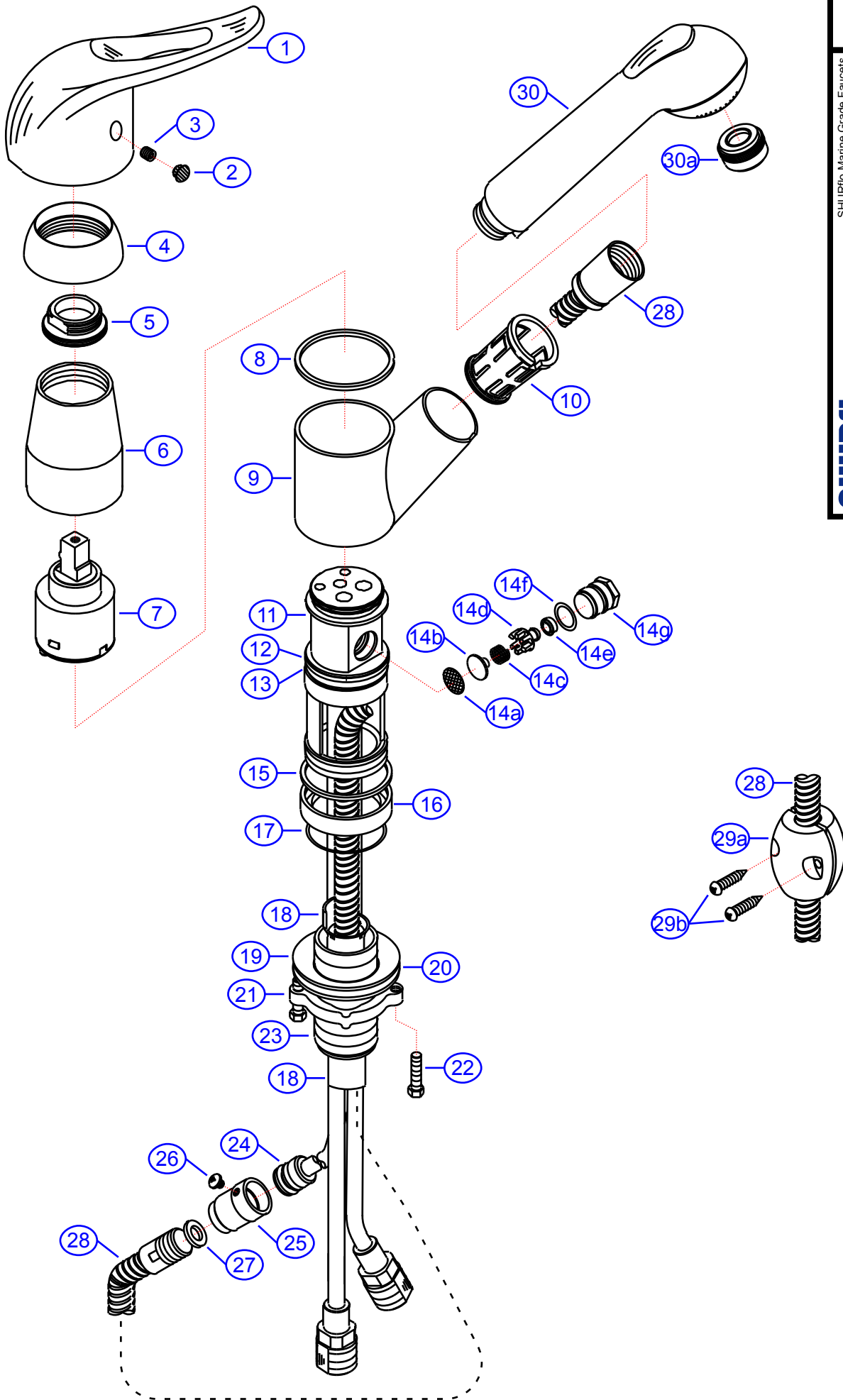


# 132-0103-xx

**SHURflo**  
First in Fluid Innovation™

SHURflo Marine Grade Faucets  
5900 Katiella Ave., Cypress, CA 90630  
(562) 795-5200 • FAX (562) 795-7554  
www.shurflo.com

Rev #	A	Package Style	OEM	Model #	<b>132-0103-xx</b>	
Vendor #	FP2B400xx-ASJ8	Series		Series	Stasis	
Drawn By	SS	Modified/Approved	6/18/04	Type	Pull-Out Galley Faucet	



NOT DRAWN TO SCALE

