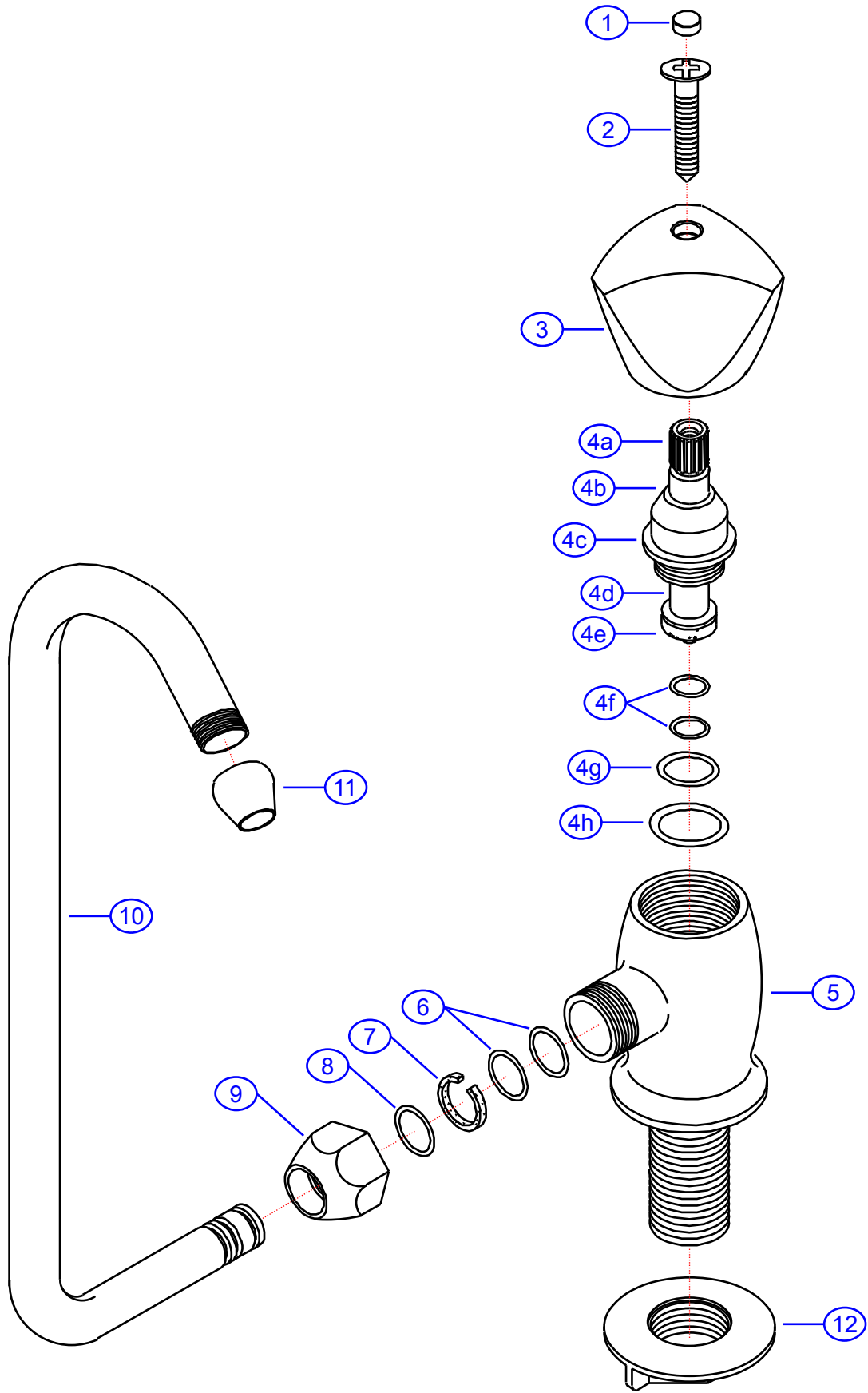


132-0208-xx

SHURflo
First in Fluid Innovation™
SHURflo Marine Grade Faucets
5900 Katella Ave., Cypress, CA 90630
(562) 795-5200 • FAX (562) 795-7554
www.shurflo.com

Rev #	B	Package Style	OEM	Model #	132-0208-xx	
Vendor #	FS0K1000xx-ASJ8	Series	Trinidad	Type	Folding Tap	
Drawn By	SS	Modified/Approved	12/29/05			

Rev. Change	
A	Original
B	Add 1" To Mounting Shaft



NOT DRAWN TO SCALE

