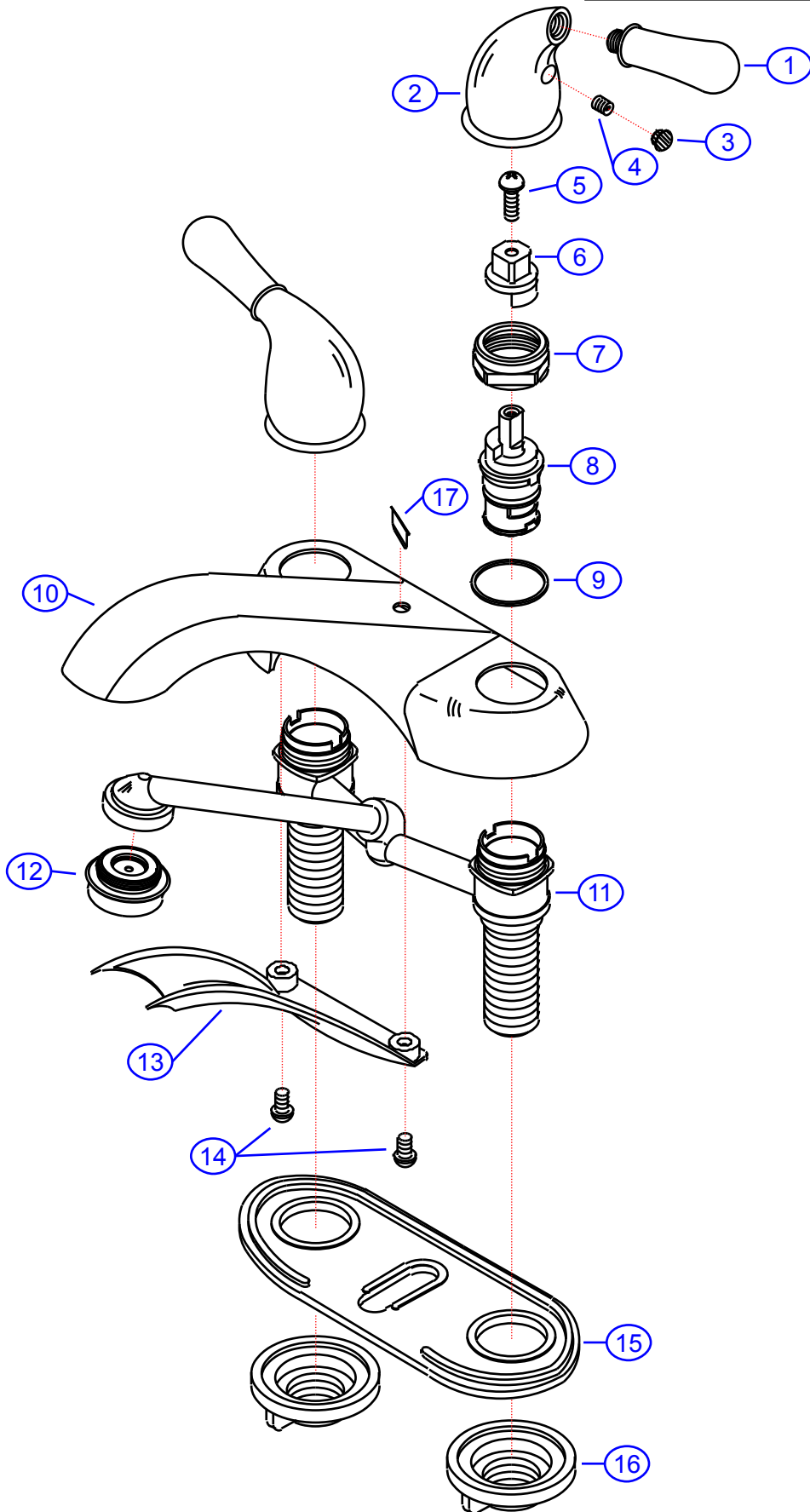


Rev. Change	
A	Original
B	2-Part Handles



132-1213-xx

SHURflo Marine Grade Faucets
 5900 Katella Ave., Cypress, CA 90630
 (562) 795-5200 • FAX (562) 795-7554
 www.shurflo.com

SHURflo
First in Fluid Innovation™

Rev #	B	Package Style	OEM	Model #	132-1213-xx	
Vendor #	F40C5000xx-ASJ8	Series	Estancia			
Drawn By	SS	Modified/Approved	12/29/05	Type	4" Center Set Faucet	

NOT DRAWN TO SCALE

