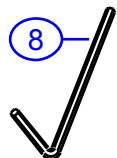
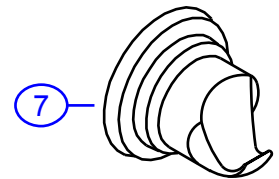
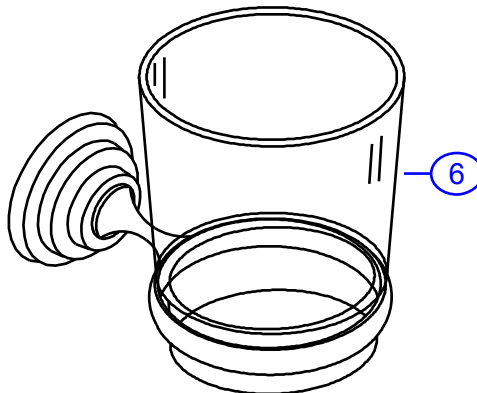
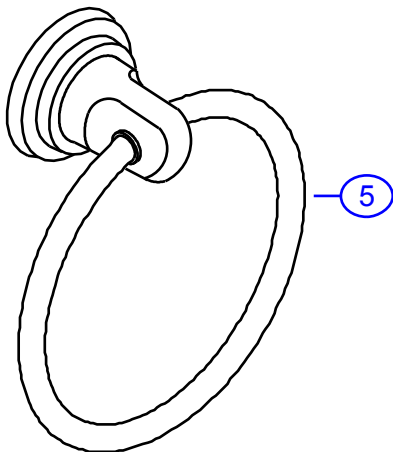
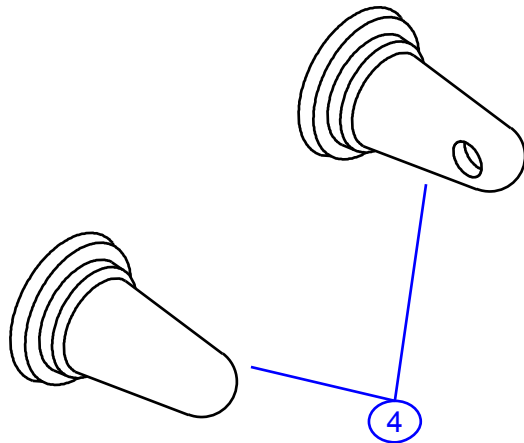
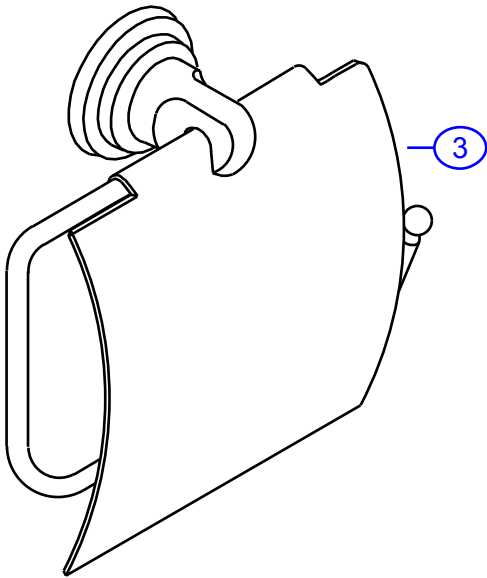
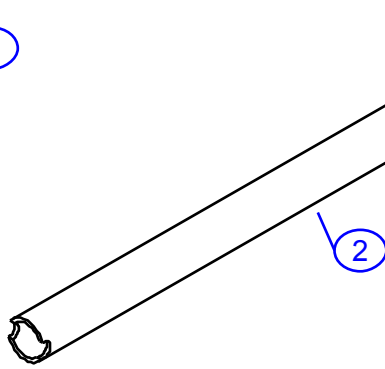
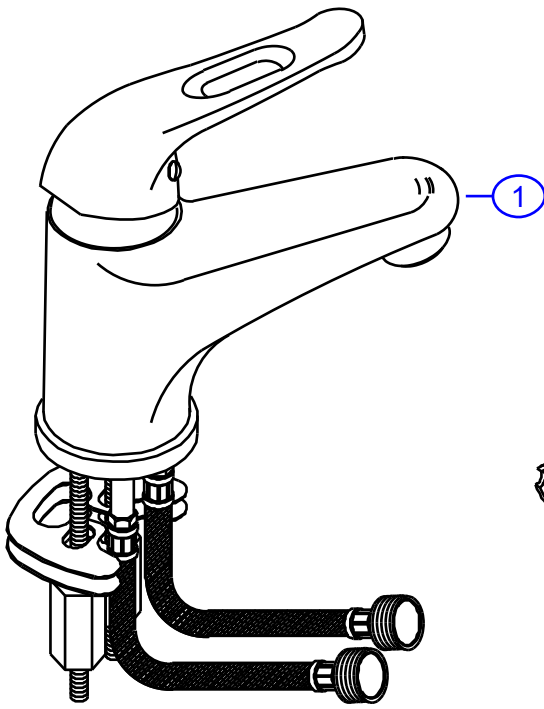


133-0118-xx

SHURflo
First in Fluid Innovation™
SHURflo Marine Grade Faucets
5900 Katiella Ave., Cypress, CA 90630
(562) 795-5200 • FAX (562) 795-7554
www.shurflo.com

Rev #	A	Package Style	Aftermarket	Model #	133-0118-xx
Vendor #	FS1A4027xx-ASA8	Series	Stasis	Drawn By	SS
Modified/Approved	6/28/04	Type	6 Pc Suite		



NOT DRAWN TO SCALE

