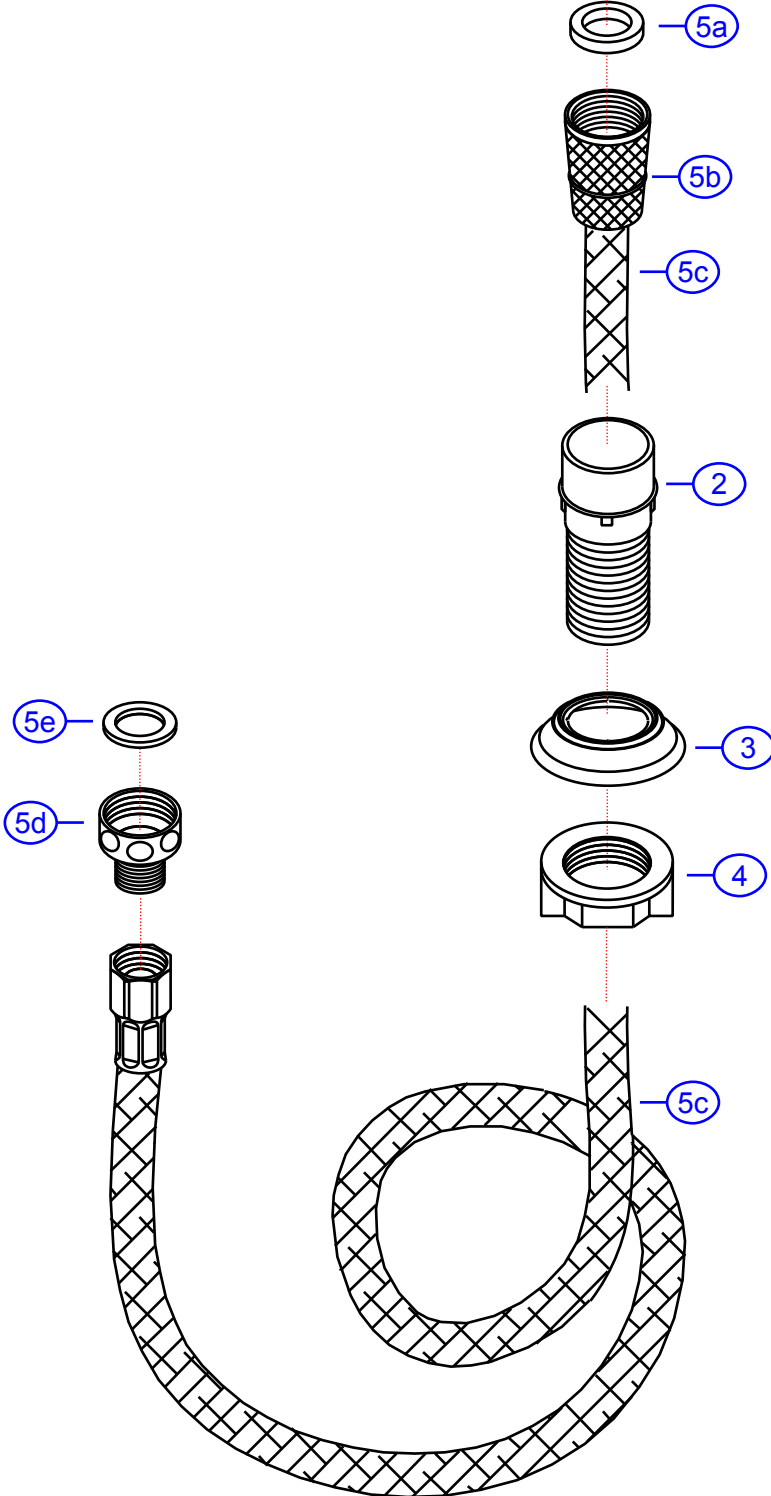


Rev. Change	
A	Original
B	
C	
D	



134-0008-xx

SHURflo Marine Grade Faucets
 5900 Katella Ave., Cypress, CA 90630
 800.854.3218 • Fax 562.795.5200 • Fax 562.795.7564
 www.shurflo.com



Rev #	A	Package Style	OEM	Model #	134-0008-xx
Vendor #	S2210203xx-ASJ8	Series	Universal		
Drawn By	SS	Approved/Modified	02/23/10	Type	Sprayer (Large w/Elbow)

NOT DRAWN TO SCALE

