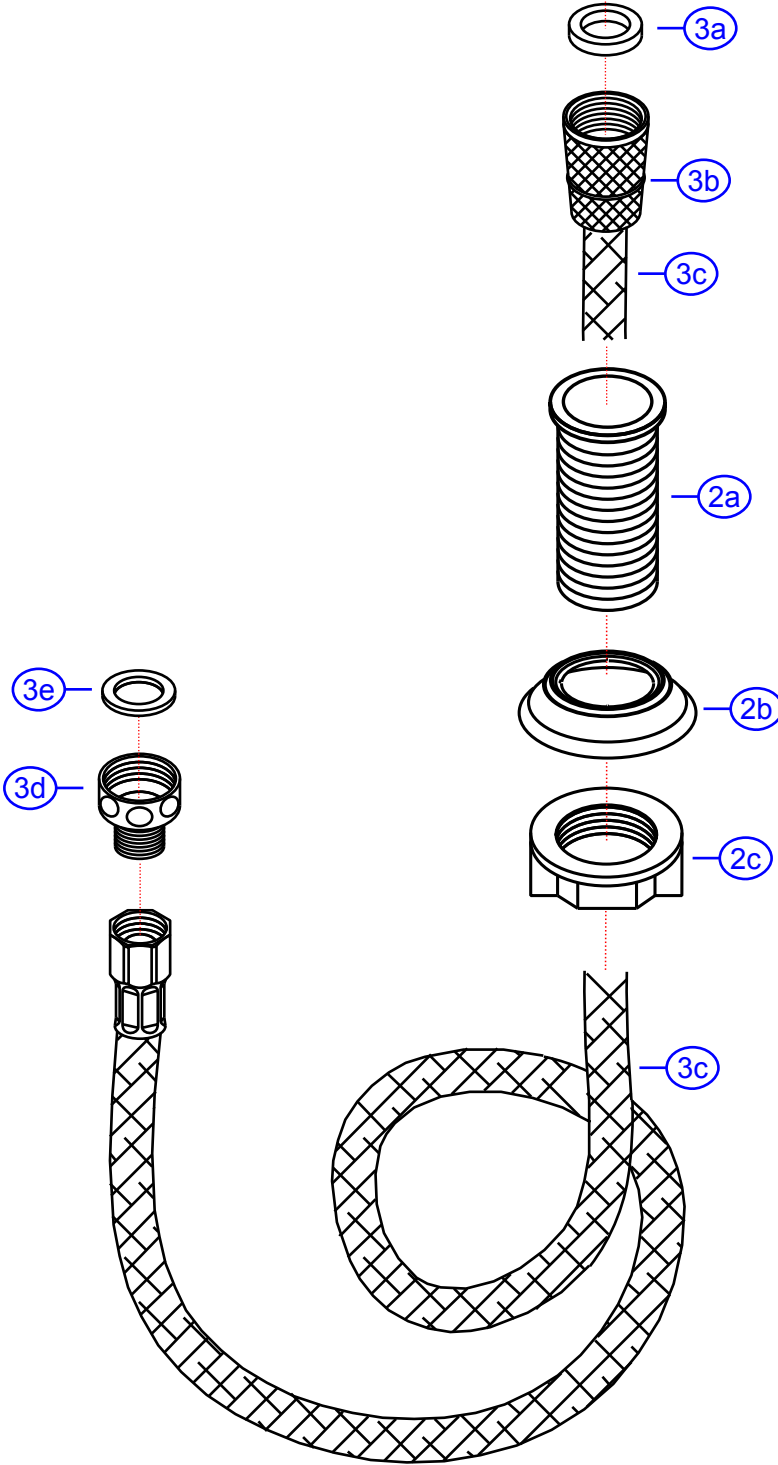


Rev. Change	
A	Original
B	Brass (CP) Hose Nest
C	Low Profile Hose Nest
D	



**134-0009-xx**

SHURflo Marine Grade Faucets  
 5900 Katella Ave., Cypress, CA 90630  
 800.854.3218 • Fax 562.795.5200 • Fax 562.795.7564  
 www.shurflo.com

Rev #	C	Package Style	OEM	Model #	<b>134-0009-xx</b>
Vendor #	S2210101xx-ASJ8	Series	Universal		
Drawn By	SS	Approved/Modified	02/23/10	Type	Sprayer (Small w/Elbow)

NOT DRAWN TO SCALE

