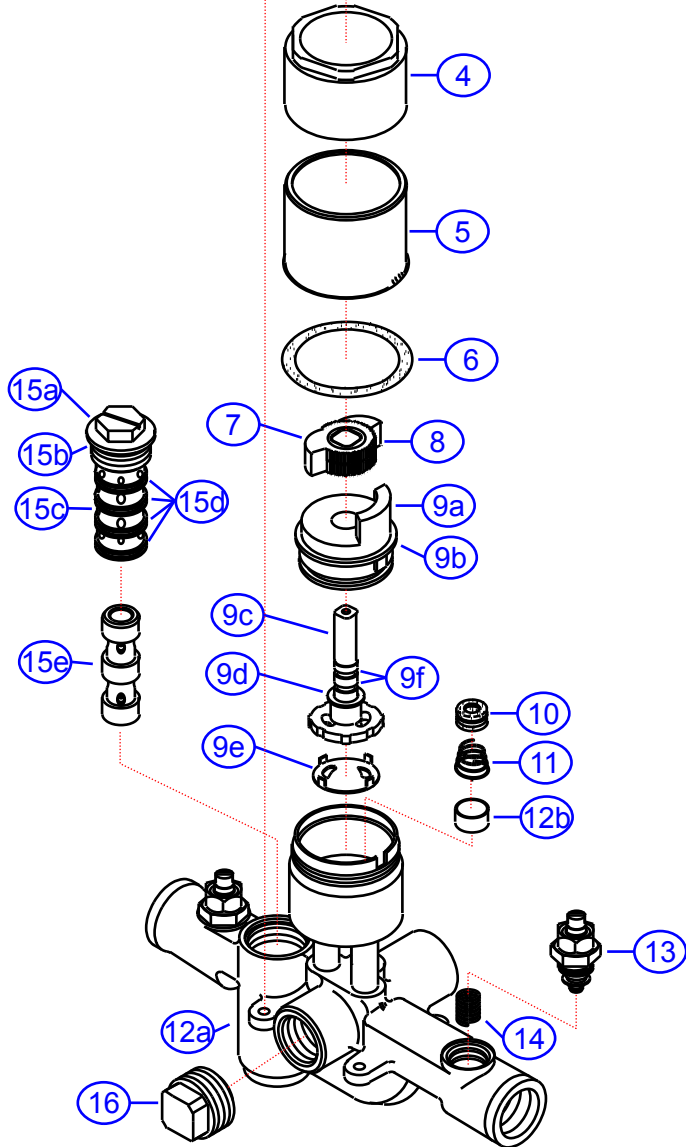


Rev. Change	
A	Original
B	
C	
D	

# 134-0405-xx

SHURflo Marine Grade Faucets 5900 Katella Ave., Cypress, CA 90630 800.854.3218 • 562.795.5200 • Fax 562.795.7564 www.shurflo.com		Model #	<b>134-0405-xx</b>
Rev #	A	Package Style	OEM
Vendor #	A661108xx-ASJ8	Series	Pisces
Drawn By	SS	Approved/Modified	02/18/10
		Type	Shower Mixer (Pres. Bal.)



134-0405-xx

Pisces  
 Shower Mixer (Pressure Balanced)  
 Rev. A



#	Description	Part #	Finish					Qty
			CG					
1	Pisces Handle Assembly	EA-506852	CG					1
1a	Cap	E-206047	CP					1
1b	Handle Screw	E-008000						1
1c	Trim Ring	E-218007*	GP					1
1d	Handle Tip	E-109006*	GP					1
1e	Handle Rod	E-017015*						1
1f	Handle Sleeve	E-108039*	CP					1
1g	Canopy	E-018061*	CP					1
2	Face Plate Assembly	EA-556100	CP					1
2a	Face Plate	E-007041*	CP					1
2b	Gasket	E-060055						1
3	Screw	E-075143	CP					2
4	Retainer Nut	E-103020	GP					1
5	Sleeve	E-217005	GP					1
6	O-Ring	E-004008						1
7	Temp. Restrictor A	E-049000						1
8	Temp. Restrictor B	E-049001						1
9	Cartridge Assembly	EA-507049						1
9a	Cartridge Body	E-214011*						1
9b	O-Ring	E-048016*						1
9c	Cartridge Stem	E-024112*						1
9d	Metal Washer	E-013050*						1
9e	Stem Plate	E-308006*						1
9f	O-Ring	E-004118*						2
10	Seat	E-101036						2
11	Spring	E-005000						2
12	Valve Body Assembly	G-X3111						1
12a	Valve Body	E-044061						1
12b	Seat&Spring Housing	E-106001*						2
13	Shut Off Valve	E-507037						2
14	Shut Off Valve Spring	E-005012						2
15	PB System (Assembled)	EA-507041						1
15a	PB Head	E-009094*						1
15b	O-Ring	E-048025*						1
15c	PB Spool	E-214015*						1
15d	O-Ring	E-048024*						4
15e	PB Tumbler	E-208041*						1
16	Tub Spout Cap	E-028004						1

\* - Part is not available individually. "Assembled" item is required.  
 \*\* - Assembly is in-stock at SHURflo and must be shipped directly from SHURflo's distribution center.

Prepared Exclusively For  
 SHURflo Marine Grade Faucets