

Rev. Change

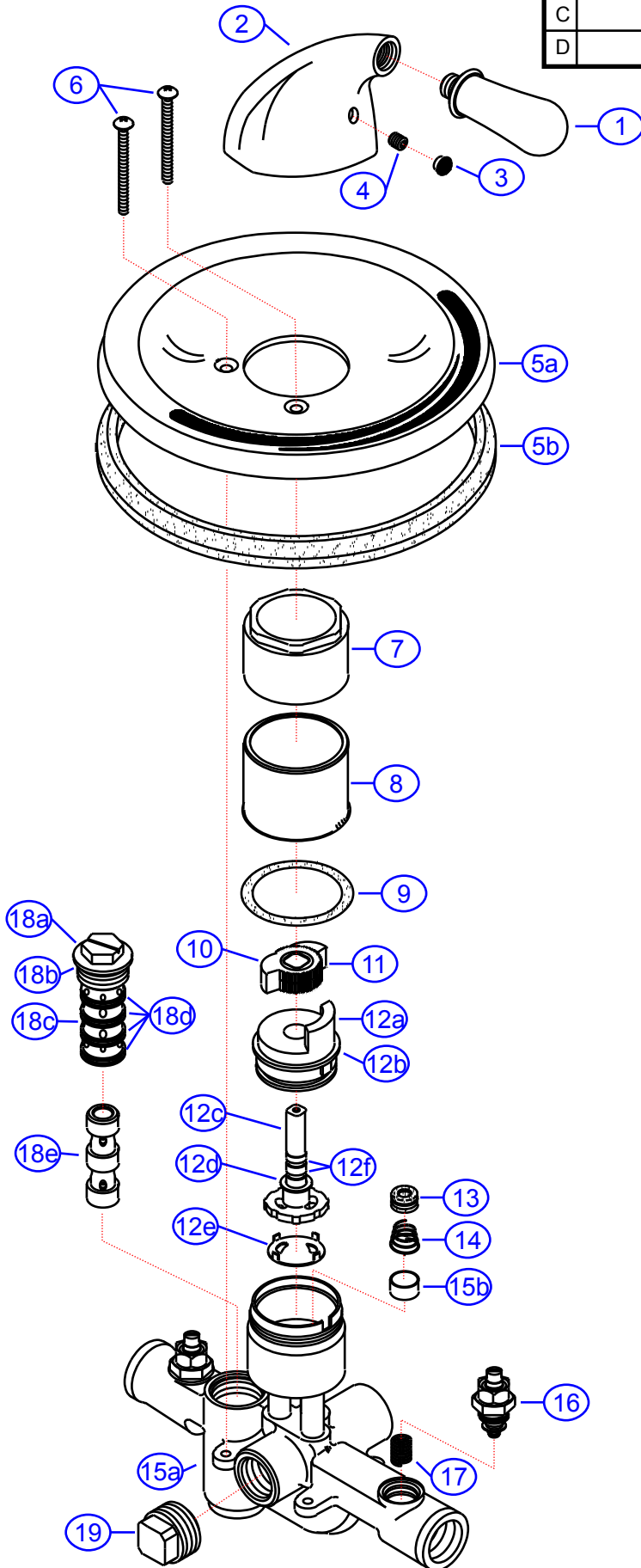
A	Original
B	
C	
D	

# 134-1205-xx

**SHURflo**  
Fountain Water

SHURflo Marine Grade Faucets  
5900 Katella Ave., Cypress, CA 90630  
800.854.3218 • 562.795.5200 • Fax 562.795.7564  
www.shurflo.com

Rev #	A	Package Style	OEM	Model #	<b>134-1205-xx</b>
Vendor #	A661128xx-ASJ8	Approved/Modified		Series	Estancia
Drawn By	SS	02/18/10		Type	Shower Mixer (Pres. Bal.)



NOT DRAWN TO SCALE

