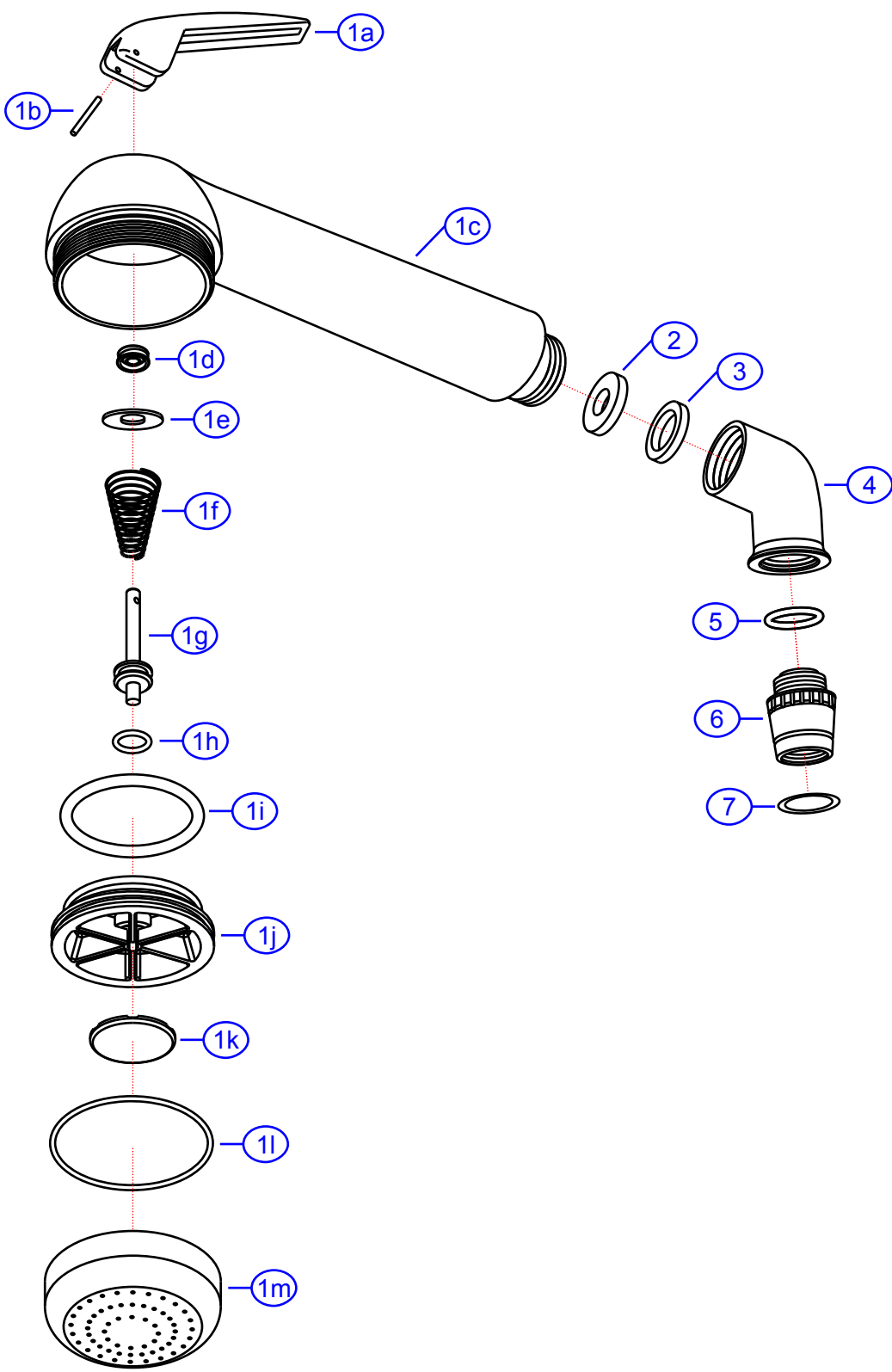


Rev. Change

# EA-523267xx

SHURflo Marine Grade Faucets  
5900 Katella Ave., Cypress, CA 90630  
800.854.3218 • 562.795.5200 • Fax 562.795.7564  
www.shurflo.com

Rev #	N/A	Package Style	Bulk	Model #	<b>EA-523267xx</b>
Vendor #	A523267xx-ASG8	Approved/Modified		Series	Marine Sprayer
Drawn By	SS			Type	Large w/ Elbow w/Out Hook



NOT DRAWN TO SCALE

