

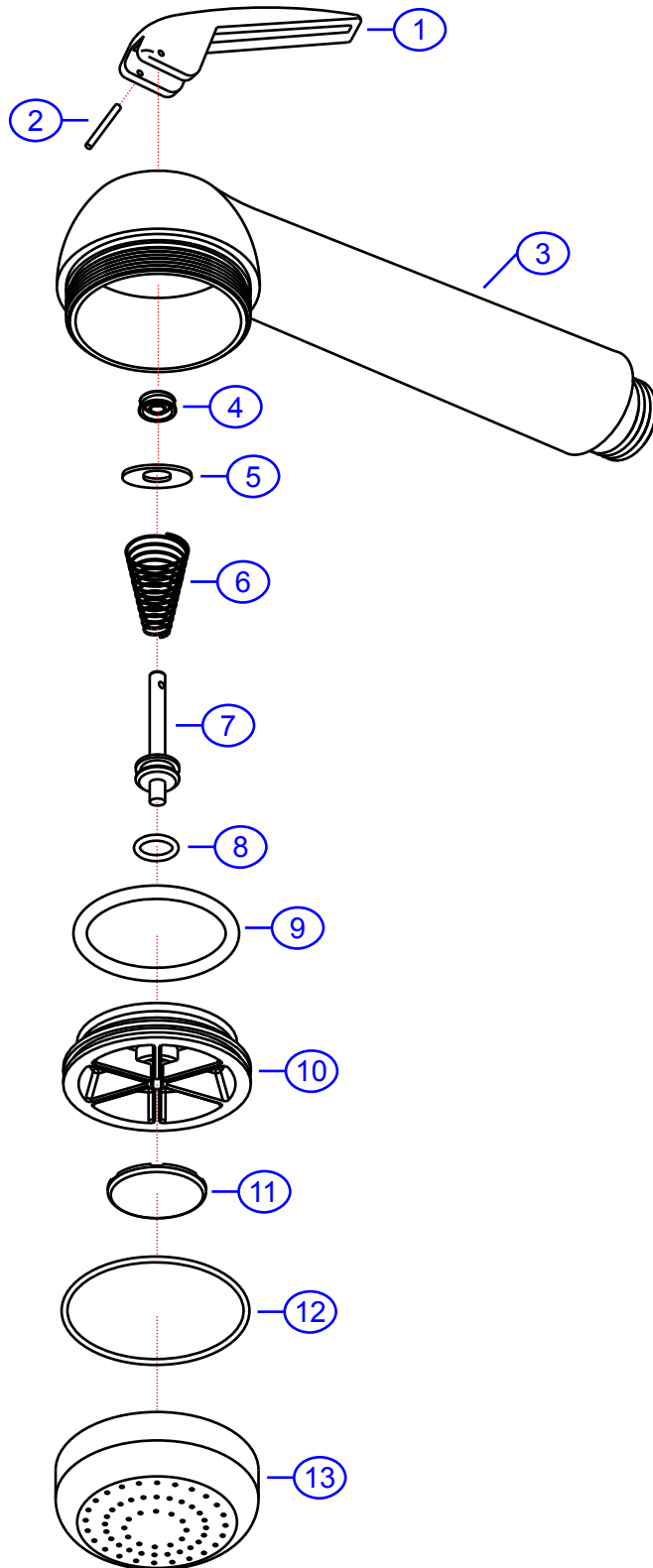
Rev. Change

EA-S2210200xx

SHURflo Marine Grade Faucets
5900 Katella Ave., Cypress, CA 90630
800.854.3218 • 562.795.5200 • Fax 562.795.7564
www.shurflo.com



Rev #	N/A	Package Style	Bulk	Model #	EA-S2210200xx
Vendor #	S2210200xx-ASG8	Approved/Modified		Series	Marine Sprayer
Drawn By	SS	12/17/09		Type	Large w/Out Hook



NOT DRAWN TO SCALE

