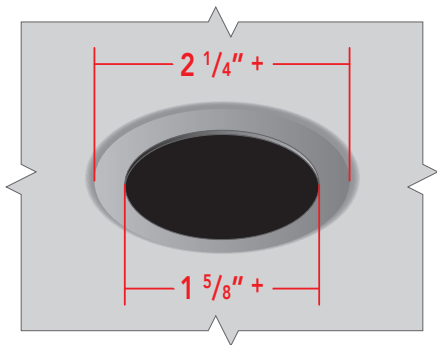


# Drain Size

## 1 1/2" Drain

This unit requires a minimum of this drain hole:



The Drain Size is a standardized term used to refer to the category of drain body sizes. The actual hole in the sink is typically  $\frac{1}{16}''$  to  $\frac{1}{2}''$  larger diameter than the "Drain Size".