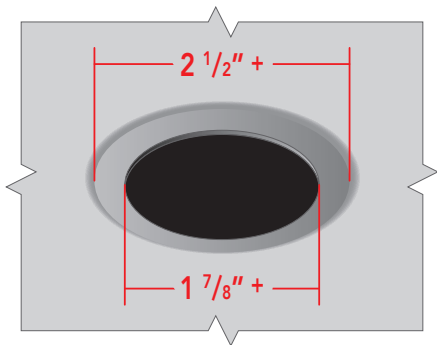


Drain Size

1 ³/₄" Drain (Vessel)

This unit requires a minimum of this drain hole:



The Drain Size is a standardized term used to refer to the category of drain body sizes. The actual hole in the sink is typically $\frac{1}{16}''$ to $\frac{1}{2}''$ larger diameter than the "Drain Size".